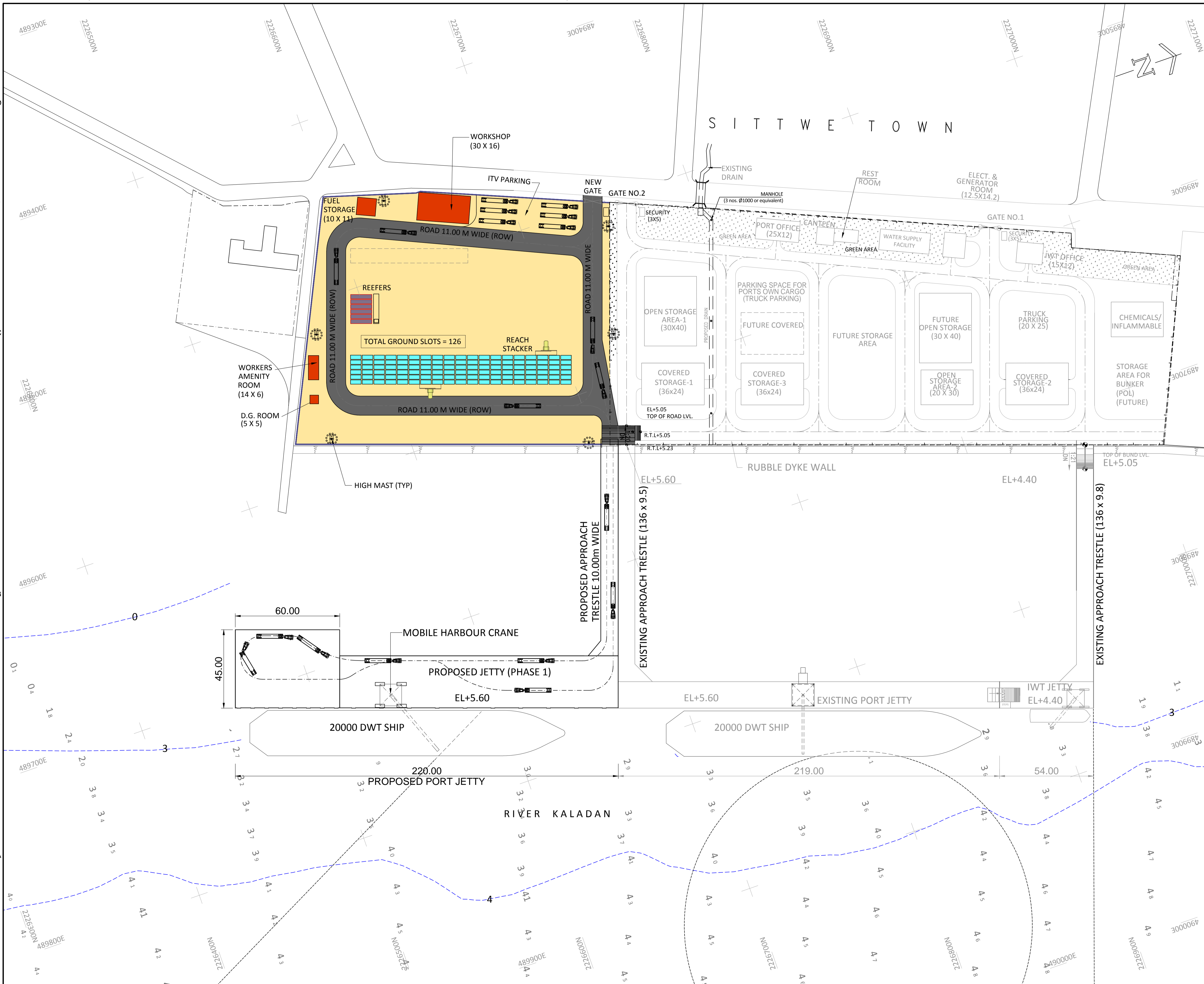


ISO A1 594mm x 841mm
 Approved:
 Checked:
 Designer:
 Project Management Initials:
 Last saved by: VERMASZ(2017-11-10) Last Plotted: 2015-10-29
 Filename: D:\PROJECTS\KALADAN\TENDER\T-GS-1001.DWG



NOTES:-

- ALL DIMENSIONS ARE IN METRES. UNLESS NOTED OTHERWISE.
- ALL LEVELS ARE IN METRES AND WITH RESPECT TO CHART DATUM.

FOR TENDER PURPOSE ONLY

REV.	DATE	DESCRIPTION	SV	YNR	SG
0	13.11.17	FOR TENDER			

CLIENT/OWNER:
 MINISTRY OF EXTERNAL AFFAIRS / INLAND WATERWAY AUTHORITY OF INDIA

PROJECT:
 CONTAINER TERMINAL AT PORT OF SITTWE & IWT TERMINAL AT PALETWA IN MYANMAR, UNDER KALADAN MULTI-MODAL TRANSIT TRANSPORT PROJECT

PART/DISCIPLINE: STRUCTURE
 DIMENSIONS ARE IN: MILLIMETERS

PURPOSE: TENDER

DRAWING TITLE:
 OVERALL LAYOUT OF SITTWE TERMINAL

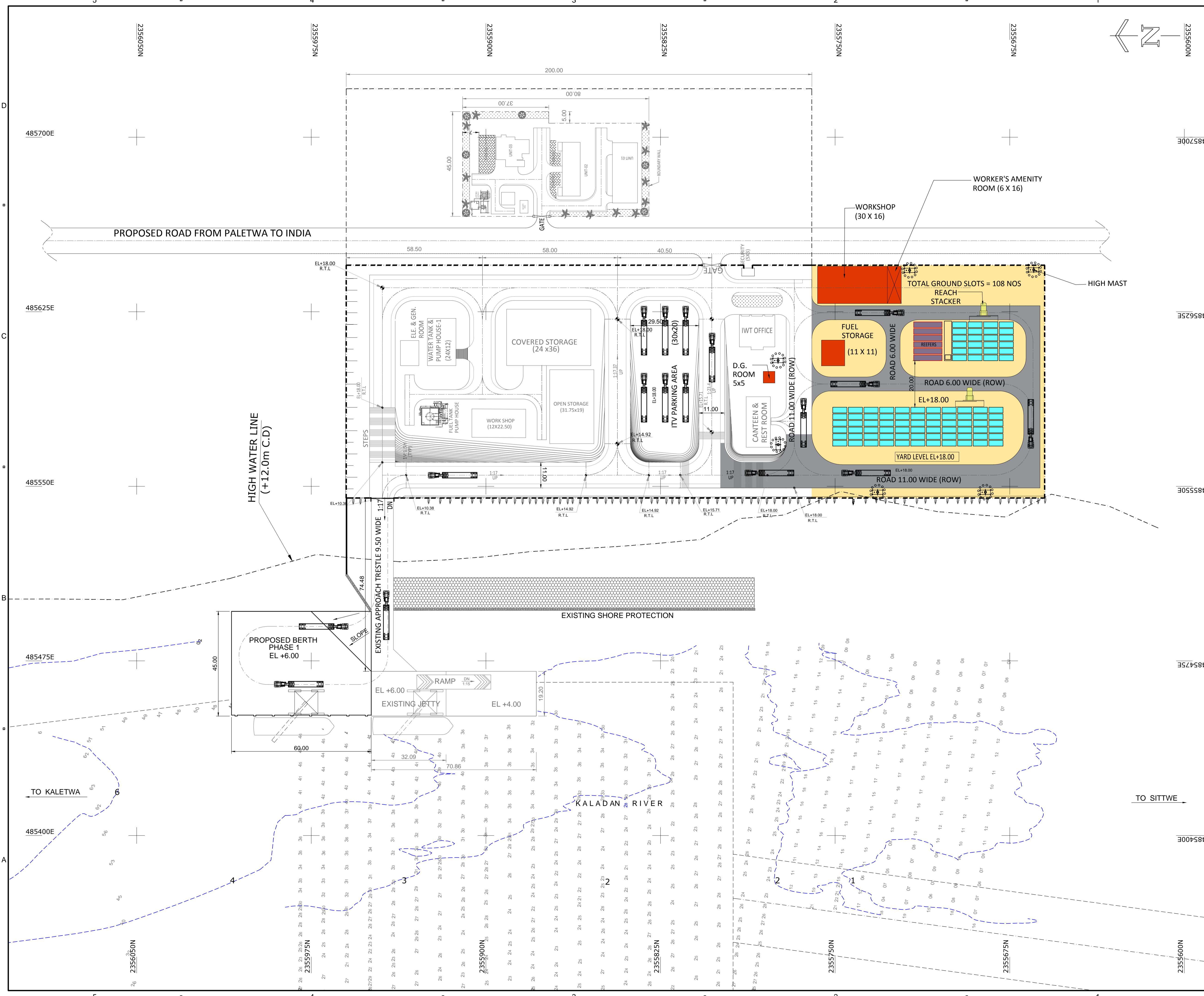
Sign:	Sign:	Sign:
Date:	Date:	Date:
Name:	Name:	Name:
Designed by:	Checked by:	Approved by:

DRAWING NUMBER:
 60544930 -DRG- T -0000-CS-1001

AECOM
 AECOM India Pvt. Ltd.

SHEET 01 OF 01

ISO A1 594mm x 841mm
 Approved:
 Checked:
 Designer:
 Project Management Initials:
 Last saved by: VERMAS2/2017-11-10, Last Plot: 2015-10-29
 Filename: D:\PROJECTS\KALADAN-TENDERT-002.DWG



NOTES:-
 1 ALL DIMENSIONS ARE IN METRES. UNLESS NOTED OTHERWISE.
 2 ALL LEVELS ARE IN METRES AND WITH RESPECT TO CHART DATUM.

FOR TENDER PURPOSE ONLY

0	13.11.17	FOR TENDER	SV	YNR	SG
REV.	DATE	DESCRIPTION	DR.	CH.	APR.
REVISION DETAILS					

CLIENT/OWNER:
 MINISTRY OF EXTERNAL AFFAIRS / INLAND WATERWAY AUTHORITY OF INDIA

PROJECT:
 CONTAINER TERMINAL AT PORT OF SITTWE & IWT TERMINAL AT PALETWA IN MYANMAR, UNDER KALADAN MULTI-MODAL TRANSIT TRANSPORT PROJECT

PART/DISCIPLINE: STRUCTURE
 DIMENSIONS ARE IN: MILLIMETERS

PURPOSE: TENDER

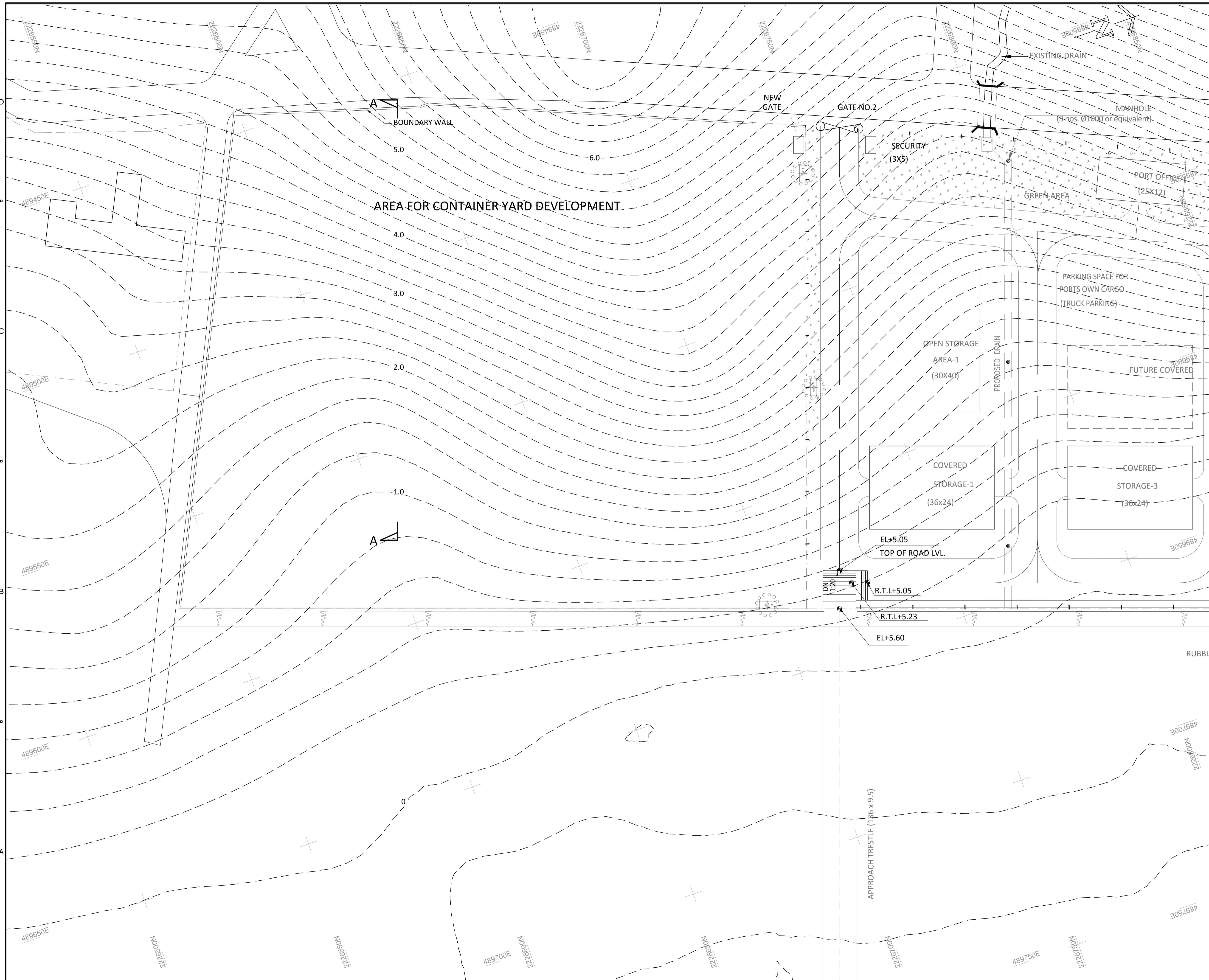
DRAWING TITLE: OVERALL LAYOUT OF PALETWA TERMINAL

Sign:	Sign:	Sign:
Date:	Date:	Date:
Name:	Name:	Name:
Designed by:	Checked by:	Approved by:
DRAWING NUMBER:		REV.
60544930-DRG- T -0000-CS-1002		0

AECOM
 AECOM India Pvt. Ltd.

COPYRIGHT © 2015 by AECOM
 All Rights Reserved.
 The drawing should only be used by the client/contractor for the purpose mentioned here. No part of this drawing should be reprinted from other project without written consent from AECOM.

SHEET 01 OF 01



NOTES:-
 1 ALL DIMENSIONS ARE IN METRES. UNLESS NOTED OTHERWISE.
 2 ALL LEVELS ARE IN METRES

FOR TENDER PURPOSE ONLY

REV.	DATE	DESCRIPTION	DR.	CH.	APR.
0	13.11.17	FOR TENDER	SV	YNR	SG

CLIENT/OWNER:
 MINISTRY OF EXTERNAL AFFAIRS / INLAND WATERWAY AUTHORITY OF INDIA

PROJECT:
 CONTAINER TERMINAL AT PORT OF SITTWE & IWT TERMINAL AT PALETWA IN MYANMAR, UNDER KALADAN MULTI-MODAL TRANSIT TRANSPORT PROJECT

PART/DISCIPLINE: STRUCTURE DIMENSIONS ARE IN: MILLIMETERS

PURPOSE: TENDER

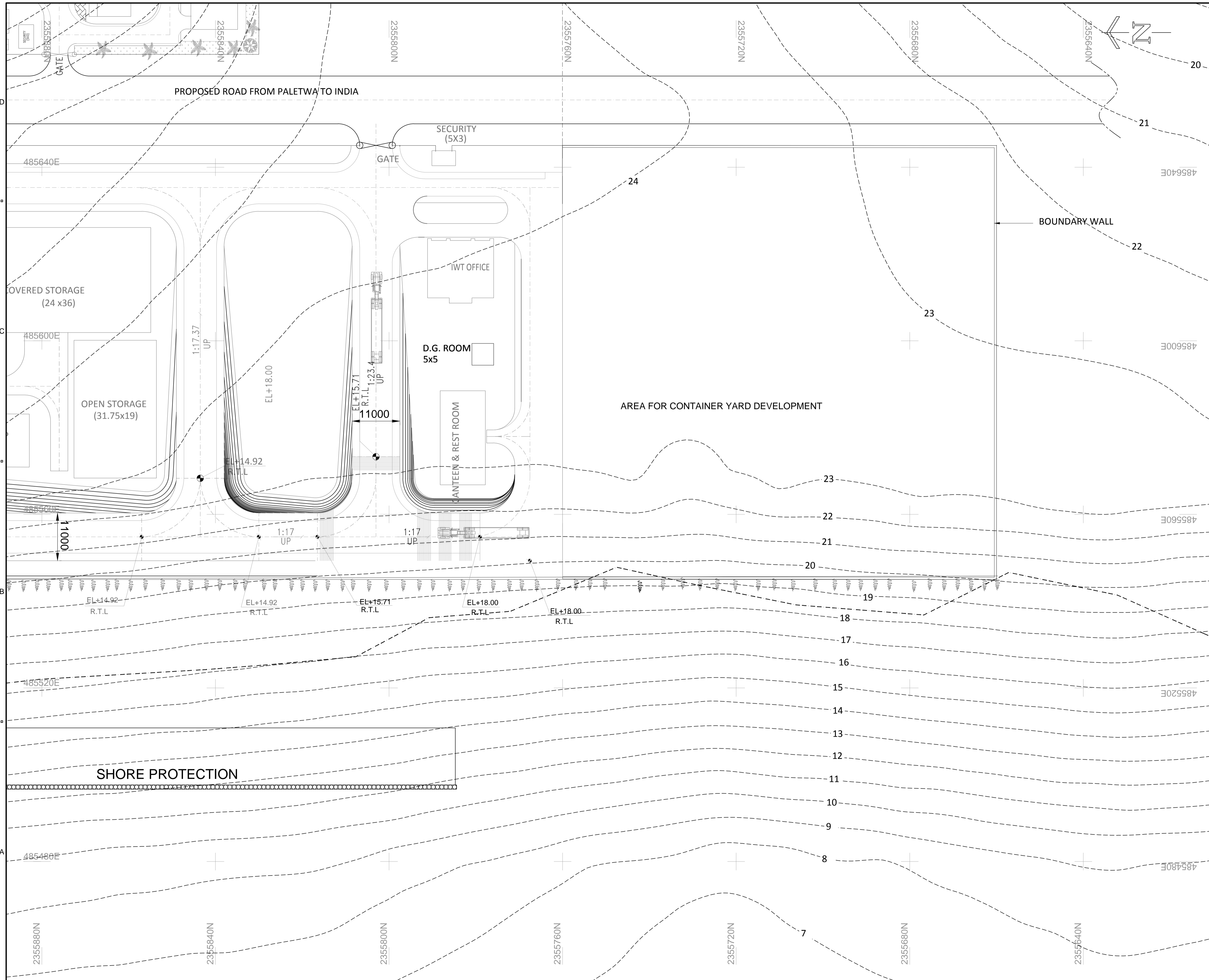
DRAWING TITLE:
 TOPOGRAPHIC SURVEY MAP OF SITTWE TERMINAL

Sign:	Sign:	Sign:
Date:	Date:	Date:
Name:	Name:	Name:
Designed by	Checked by	Approved by
DRAWING NUMBER:		REV.
60544930 -DRG- T -0000 -CS-1003		0

AECOM
 AECOM India Pvt. Ltd.

COPYRIGHT © 2015 by AECOM
 All Rights Reserved.
 The drawing should only be used by the client/contractor for the purpose mentioned here. No part of this drawing should be referred from other project without written consent from AECOM.

SHEET 01 OF 01



- NOTES:-
- 1 ALL DIMENSIONS ARE IN METRES UNLESS NOTED OTHERWISE.
 - 2 ALL LEVELS ARE IN METRES

FOR TENDER PURPOSE ONLY

REV.	DATE	DESCRIPTION	SV	YNR	SG
0	13.11.17	FOR TENDER			

CLIENT/OWNER:
 MINISTRY OF EXTERNAL AFFAIRS / INLAND WATERWAY AUTHORITY OF INDIA

PROJECT:
 CONTAINER TERMINAL AT PORT OF SITTWE & IWT TERMINAL AT PALETWA IN MYANMAR, UNDER KALADAN MULTI-MODAL TRANSIT TRANSPORT PROJECT

PART/DISCIPLINE: STRUCTURE
 DIMENSIONS ARE IN: MILLIMETERS

PURPOSE: TENDER

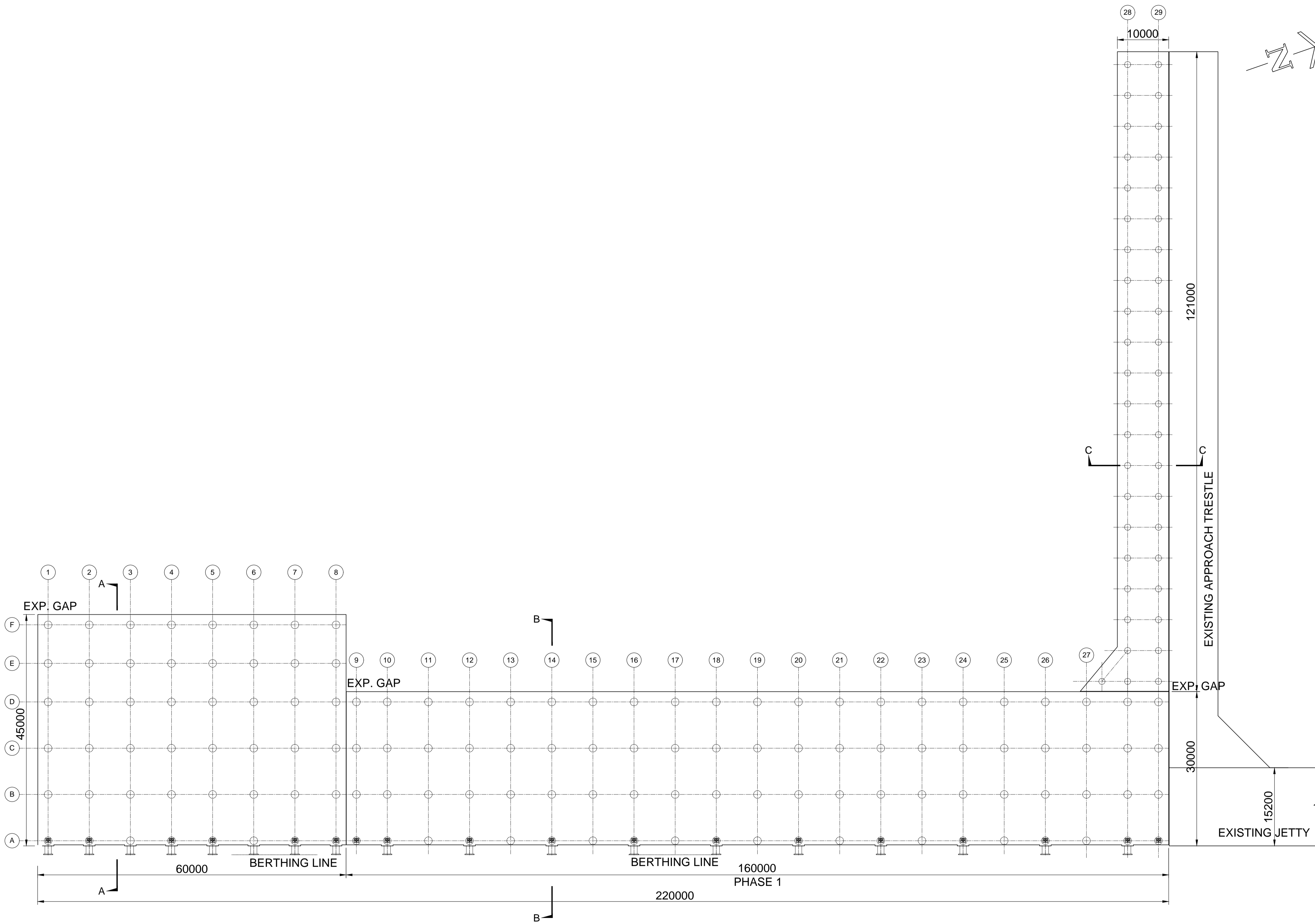
DRAWING TITLE:
 TOPOGRAPHIC SURVEY MAP OF PALETWA TERMINAL

Sign:	Sign:	Sign:
Date:	Date:	Date:
Name:	Name:	Name:
Designed by	Checked by	Approved by
DRAWING NUMBER:		REV.
60544930 -DRG- T -0000 -CS-1004		0

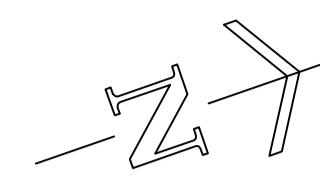
AECOM
 AECOM India Pvt. Ltd.

COPYRIGHT © 2015 by AECOM
 All Rights Reserved
 The drawing should only be used by the client/contractor for the purpose mentioned here. No part of the drawing should be referred from other project without written consent from AECOM

SHEET 01 OF 01



LAYOUT PLAN
Scale 1:400



- NOTES:-
- 1 ALL DIMENSIONS ARE IN MILLIMETRES UNLESS NOTED OTHERWISE.
 - 2 ALL LEVELS ARE IN METRES AND WITH RESPECT TO CHART DATUM.

FOR TENDER PURPOSE ONLY

REV.	DATE	DESCRIPTION	SV	YNR	SG
0	13.11.17	FOR TENDER			

CLIENT/OWNER:
MINISTRY OF EXTERNAL AFFAIRS / INLAND WATERWAY AUTHORITY OF INDIA

PROJECT:
CONTAINER TERMINAL AT PORT OF SITTWE & IWT TERMINAL AT PALETWA IN MYANMAR, UNDER KALADAN MULTI-MODAL TRANSIT TRANSPORT PROJECT

PART/DISCIPLINE: STRUCTURE
DIMENSIONS ARE IN: MILLIMETERS

PURPOSE: TENDER

DRAWING TITLE:
LAYOUT PLAN OF PORT JETTY AND IWT JETTY AT SITTWE

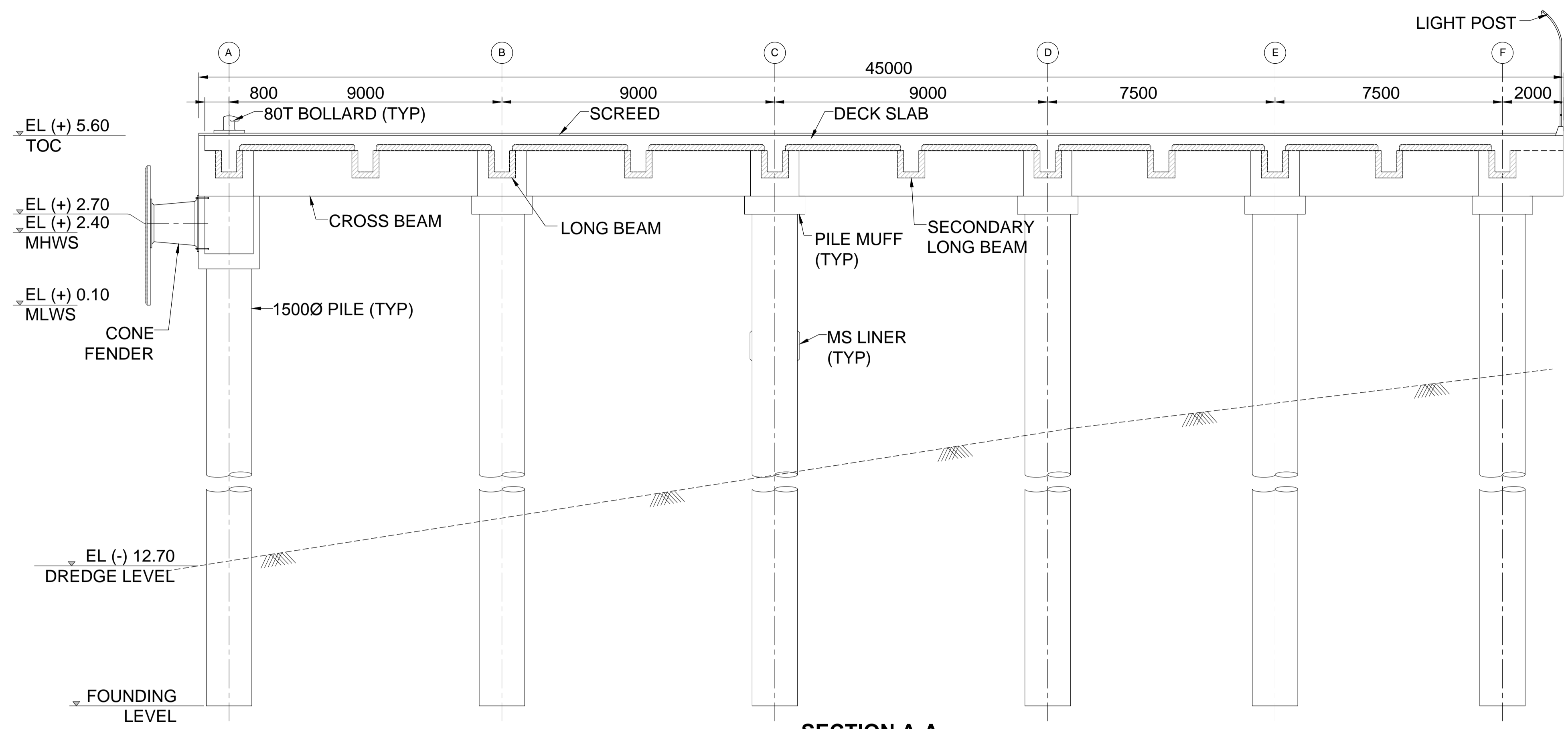
Sign:	Sign:	Sign:
Date:	Date:	Date:
Name:	Name:	Name:
Designed by	Checked by	Approved by

DRAWING NUMBER:	REV.
60544930 -DRG- T -0000 -CS-1005	0

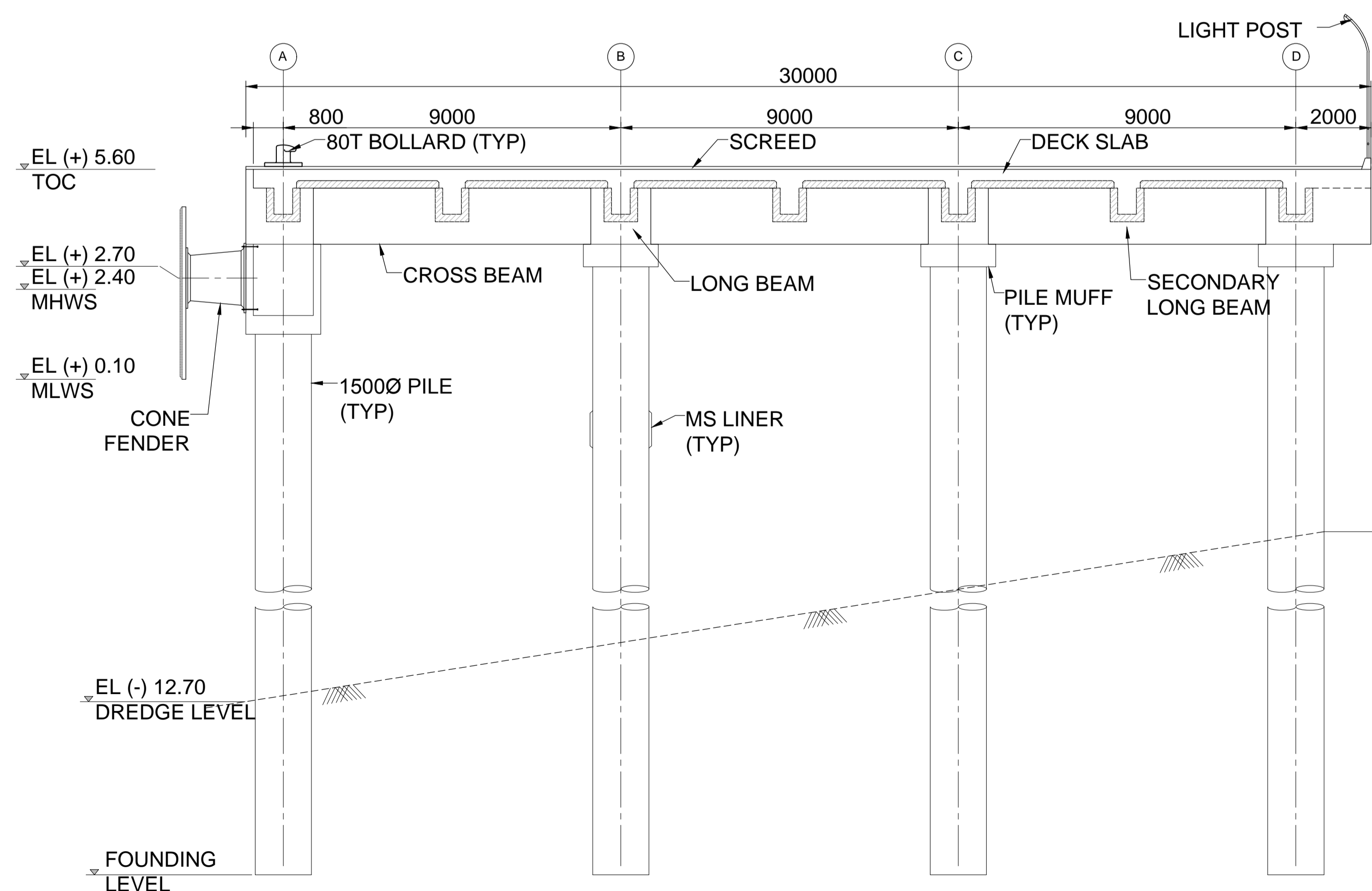
AECOM
AECOM India Pvt. Ltd.

COPYRIGHT © 2015 by AECOM
All Rights Reserved.
The drawing should only be used by the client/contractor for the purpose mentioned here. No part of this drawing should be reprinted from other project without written consent from AECOM.

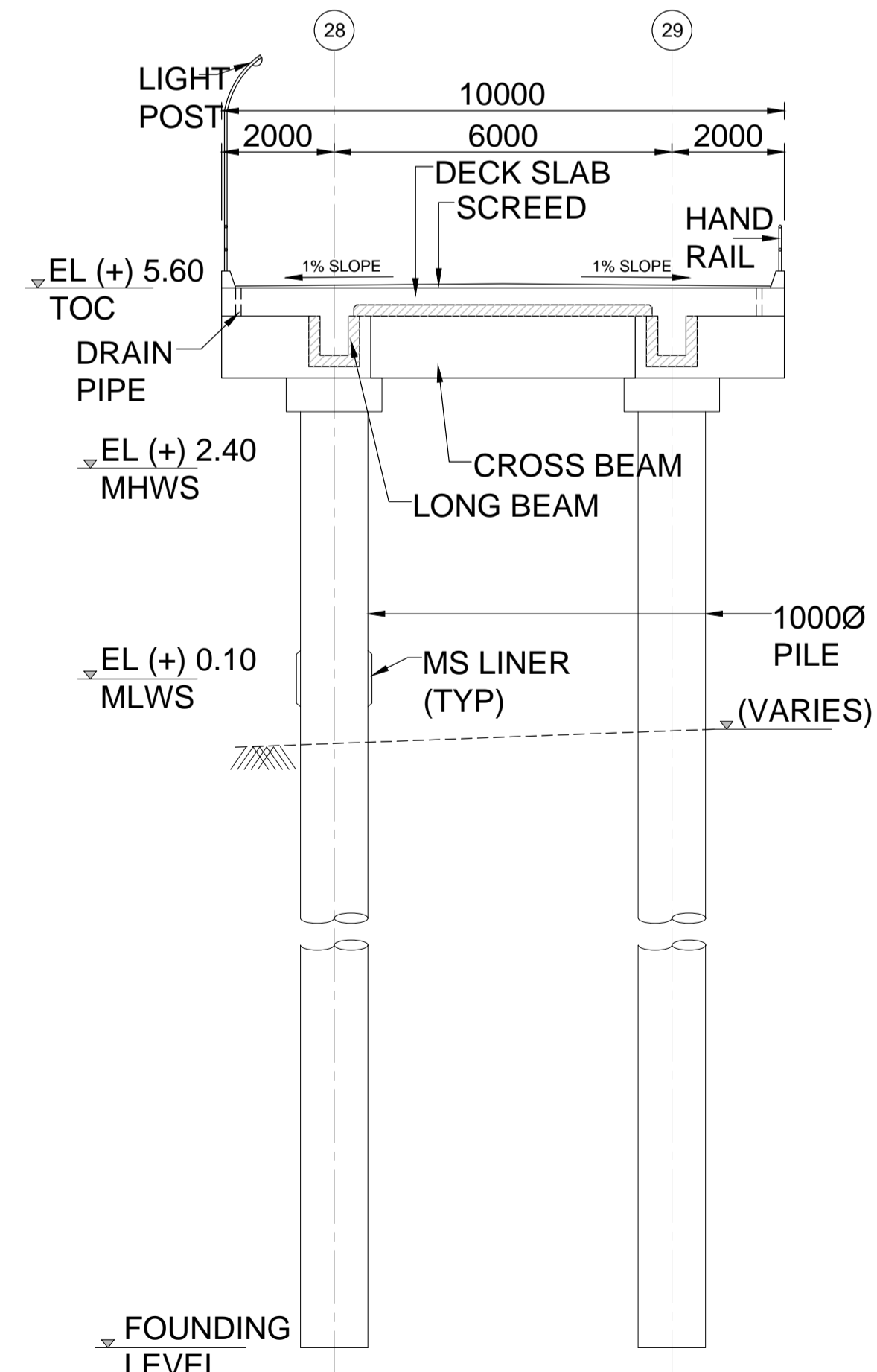
ISO A1 594mm x 841mm
 Approved:
 Checked:
 Designer:
 Project Management Initials:
 Last saved by: VERMAS2/2017-11-10, Last Picked: 2015-10-29
 Filename: D:\PROJECTS\KALADAN-TENDER\T-CS-1006.DWG



SECTION A-A
Scale 1:100



SECTION B-B
Scale 1:100



SECTION C-C
Scale 1:100

NOTES:-
 1 ALL DIMENSIONS ARE IN MILLIMETRES UNLESS NOTED OTHERWISE.
 2 ALL LEVELS ARE IN METRES AND WITH RESPECT TO CHART DATUM.

FOR TENDER PURPOSE ONLY

REV.	DATE	DESCRIPTION	DR.	CH.	APR.
0	13.11.17	FOR TENDER	SV	YNR	SG

CLIENT/OWNER:
 MINISTRY OF EXTERNAL AFFAIRS / INLAND WATERWAY AUTHORITY OF INDIA

PROJECT:
 CONTAINER TERMINAL AT PORT OF SITTWE & IWT TERMINAL AT PALETWA IN MYANMAR, UNDER KALADAN MULTI-MODAL TRANSIT TRANSPORT PROJECT

PART/DISCIPLINE: **STRUCTURE** DIMENSIONS ARE IN: **MILLIMETERS**

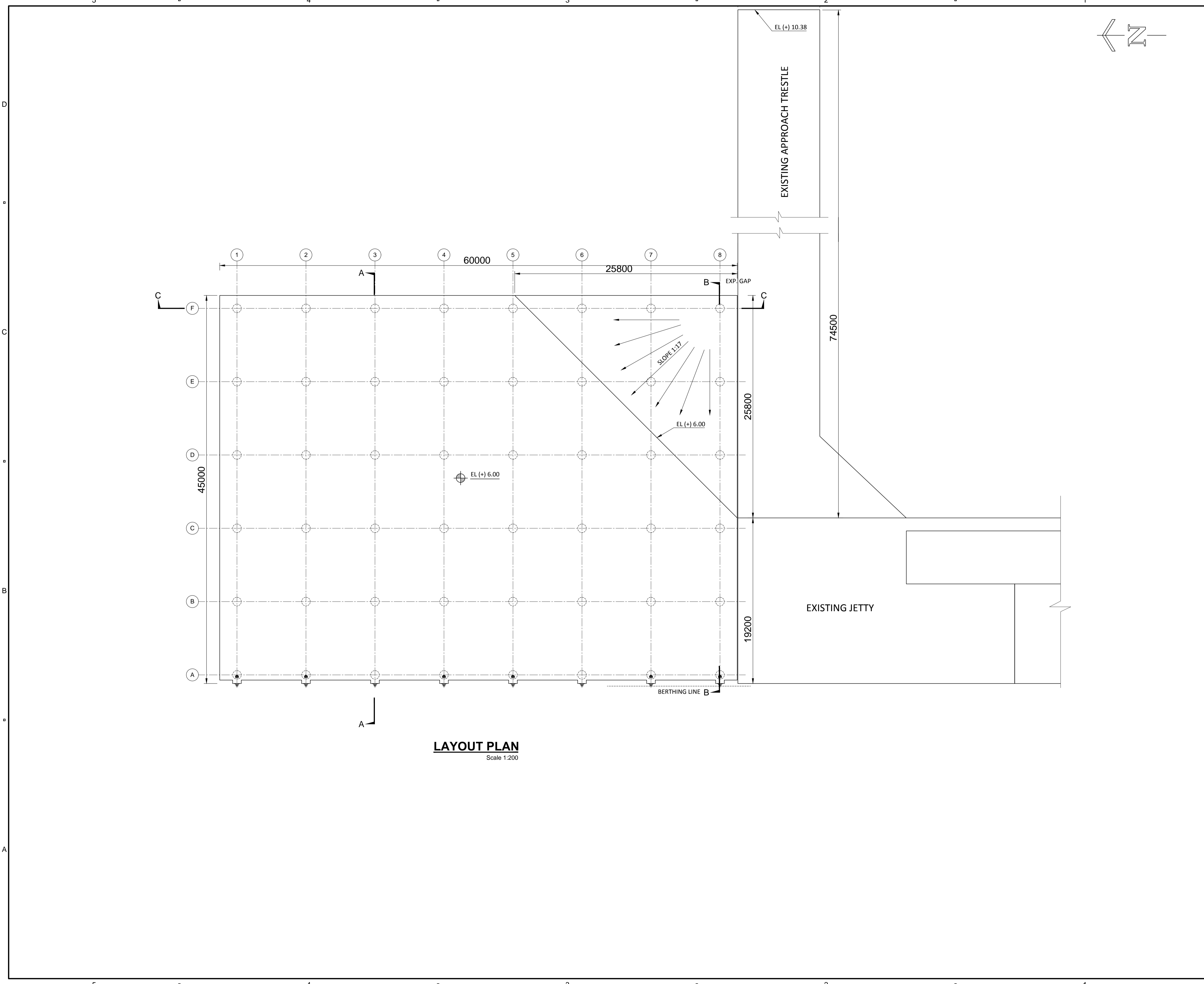
PURPOSE: **TENDER**

DRAWING TITLE:
CROSS SECTION OF JETTIES AT SITTWE

Sign:	Sign:	Sign:
Date:	Date:	Date:
Name:	Name:	Name:
Designed by	Checked by	Approved by
DRAWING NUMBER:	REV.	
60544930 -DRG- T -0000 -CS-1006	0	

AECOM
 AECOM India Pvt. Ltd.
COPYRIGHT © 2015 by AECOM. All Rights Reserved. The drawing should only be used by the client/contractor for the purpose mentioned here. No part of this drawing should be reprinted from other project without written consent from AECOM.

SHEET 01 OF 01



LAYOUT PLAN
Scale 1:200

NOTES:-
 1 ALL DIMENSIONS ARE IN MILLIMETRES UNLESS NOTED OTHERWISE.
 2 ALL LEVELS ARE IN METRES AND WITH RESPECT TO CHART DATUM.

FOR TENDER PURPOSE ONLY

REV.	DATE	DESCRIPTION	SV	YNR	SG
0	13.11.17	FOR TENDER			

CLIENT/OWNER:
MINISTRY OF EXTERNAL AFFAIRS / INLAND WATERWAY AUTHORITY OF INDIA

PROJECT:
CONTAINER TERMINAL AT PORT OF SITTWE & IWT TERMINAL AT PALETWA IN MYANMAR, UNDER KALADAN MULTI-MODAL TRANSIT TRANSPORT PROJECT

PART/DISCIPLINE: STRUCTURE
DIMENSIONS ARE IN: MILLIMETERS

PURPOSE: TENDER

DRAWING TITLE:
LAYOUT PLAN OF IWT JETTY AT PALETWA

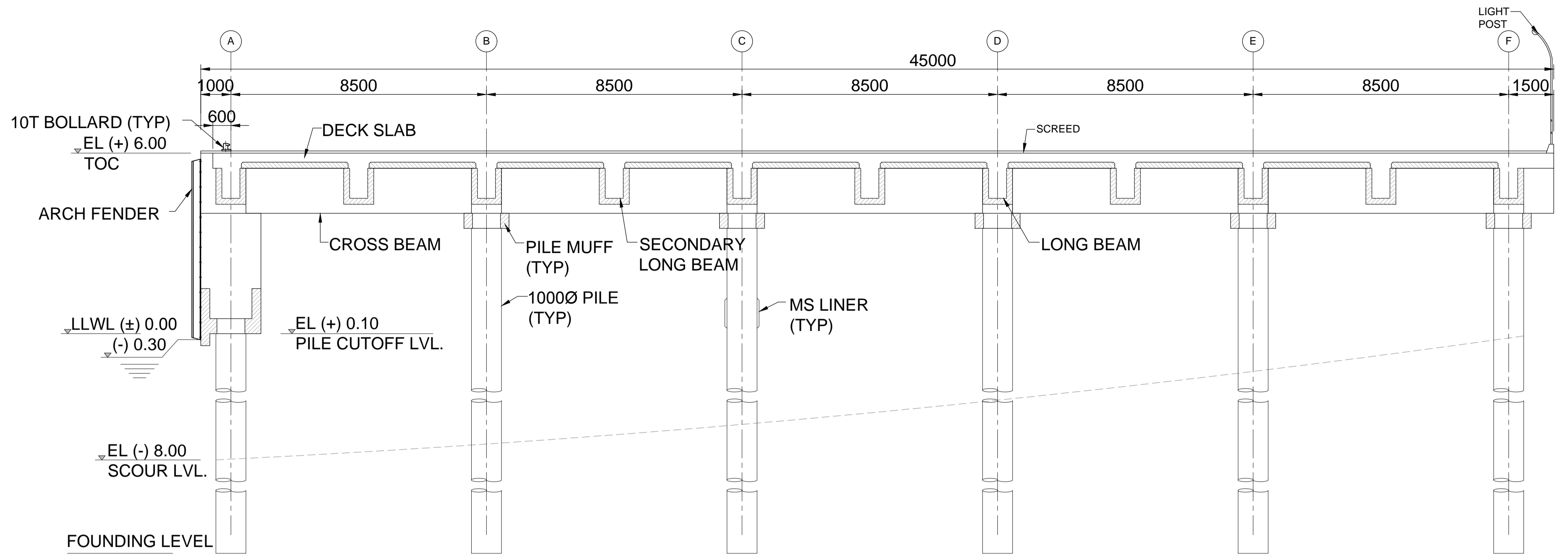
Sign:	Sign:	Sign:
Date:	Date:	Date:
Name:	Name:	Name:
Designed by	Checked by	Approved by

DRAWING NUMBER: 60544930 -DRG- T -0000 -CS-1007
REV: 0

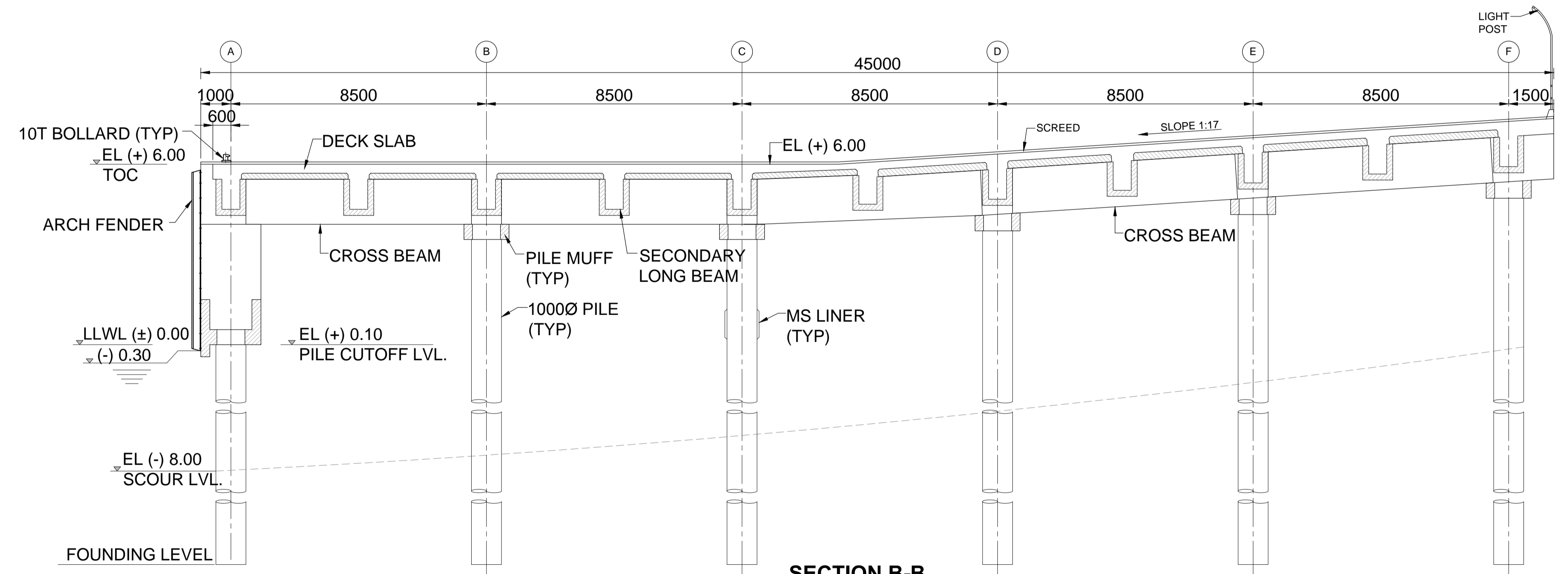
AECOM
AECOM India Pvt. Ltd.

COPYRIGHT © 2015 by AECOM
All Rights Reserved
The drawing should only be used by the client/contractor for the purpose mentioned here. No part of the drawing should be referred from other project without written consent from AECOM

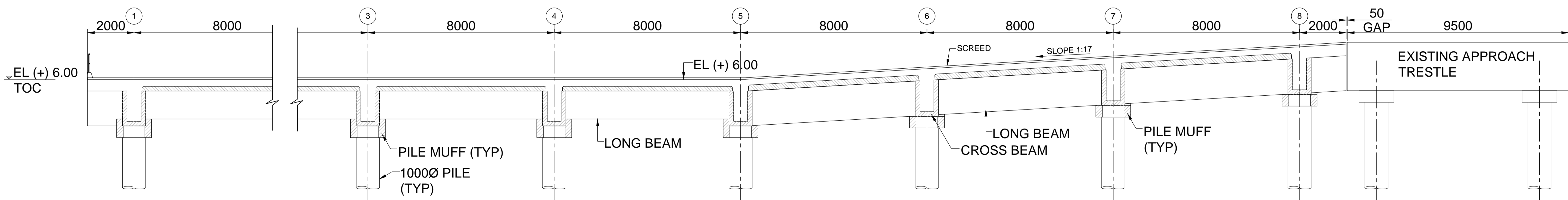
SHEET 01 OF 01



SECTION A-A
Scale 1:100



SECTION B-B
Scale 1:100



SECTION C-C
Scale 1:100

- NOTES:-
- 1 ALL DIMENSIONS ARE IN MILLIMETRES UNLESS NOTED OTHERWISE.
 - 2 ALL LEVELS ARE IN METRES AND WITH RESPECT TO CHART DATUM.

FOR TENDER PURPOSE ONLY

REV.	DATE	DESCRIPTION	DR.	CH.	APR.
0	13.11.17	FOR TENDER	SV	YNR	SG

CLIENT/OWNER:
MINISTRY OF EXTERNAL AFFAIRS / INLAND WATERWAY AUTHORITY OF INDIA

PROJECT:
CONTAINER TERMINAL AT PORT OF SITTWE & IWT TERMINAL AT PALETWA IN MYANMAR, UNDER KALADAN MULTI-MODAL TRANSIT TRANSPORT PROJECT

PART/DISCIPLINE: STRUCTURE DIMENSIONS ARE IN: MILLIMETERS

PURPOSE: TENDER

DRAWING TITLE:
SECTION OF IWT JETTY AT PALETWA

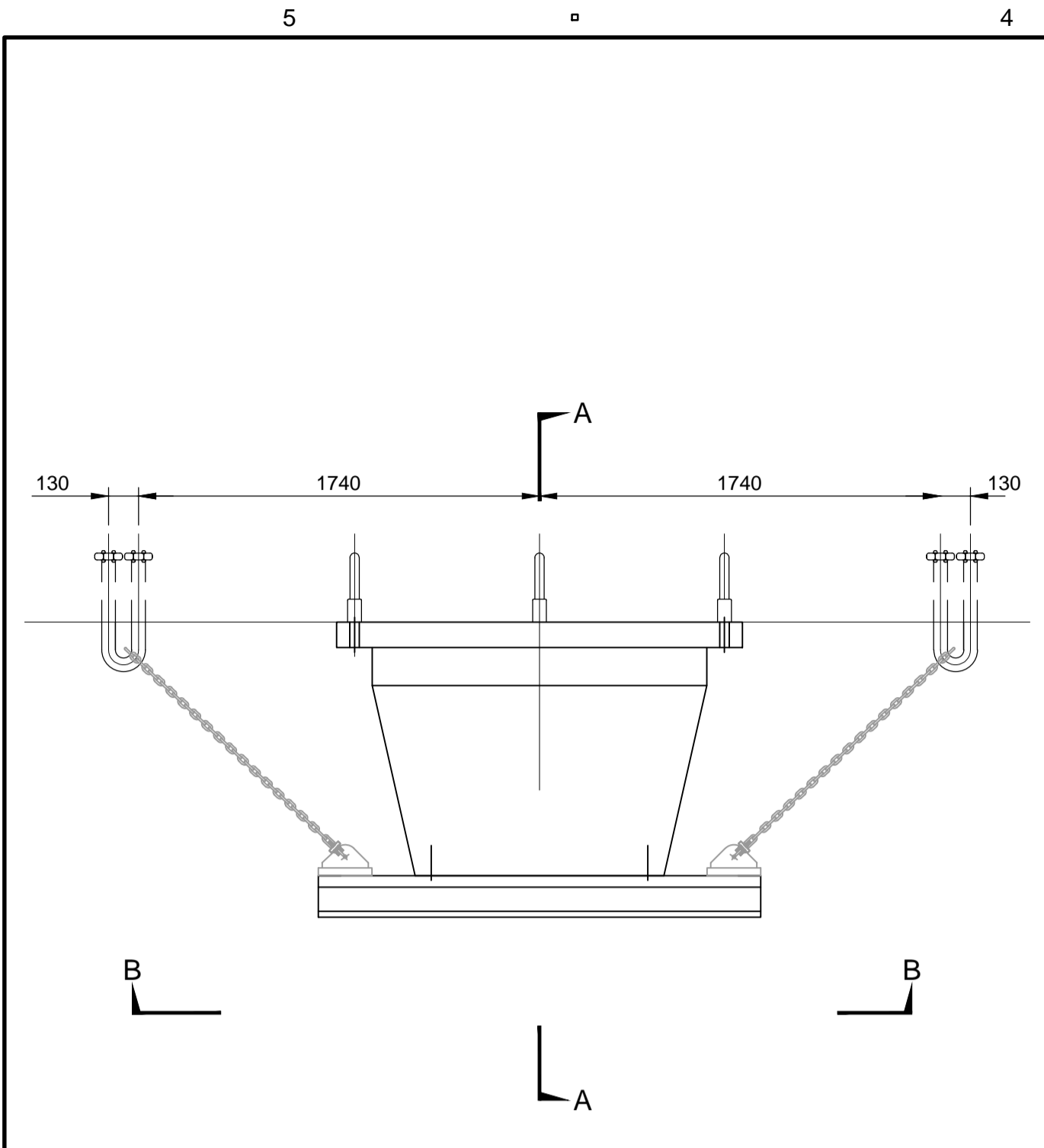
Sign:	Sign:	Sign:
Date:	Date:	Date:
Name:	Name:	Name:

Designed by:	Checked by:	Approved by:
DRAWING NUMBER:		REV.
60544930 -DRG- T -0000 -CS-1008		0

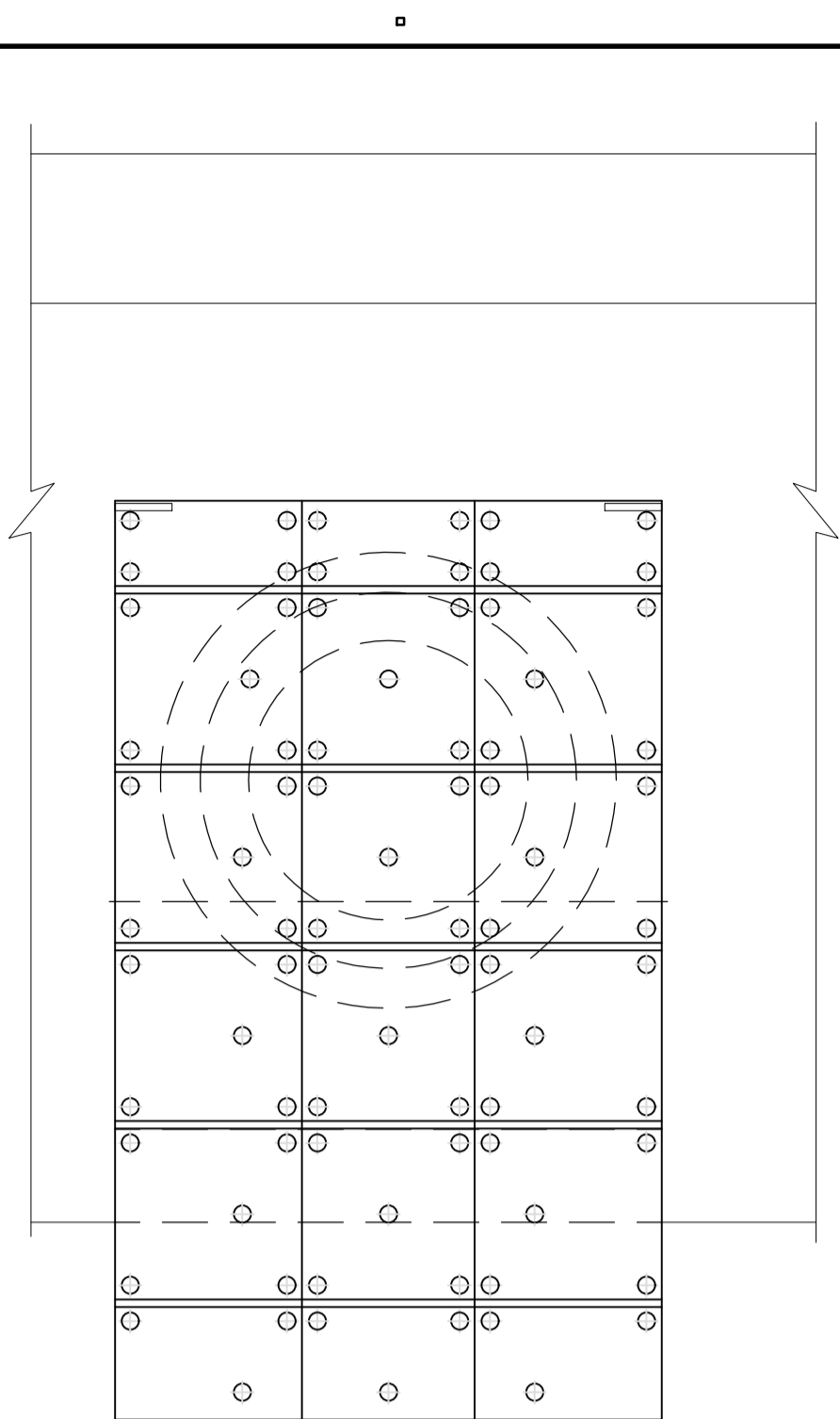
AECOM
AECOM India Pvt. Ltd.

COPYRIGHT © 2015 by AECOM
All Rights Reserved
The drawing should only be used by the client/contractor for the purpose mentioned here. No part of the drawing should be retransmitted from other project without written consent from AECOM.

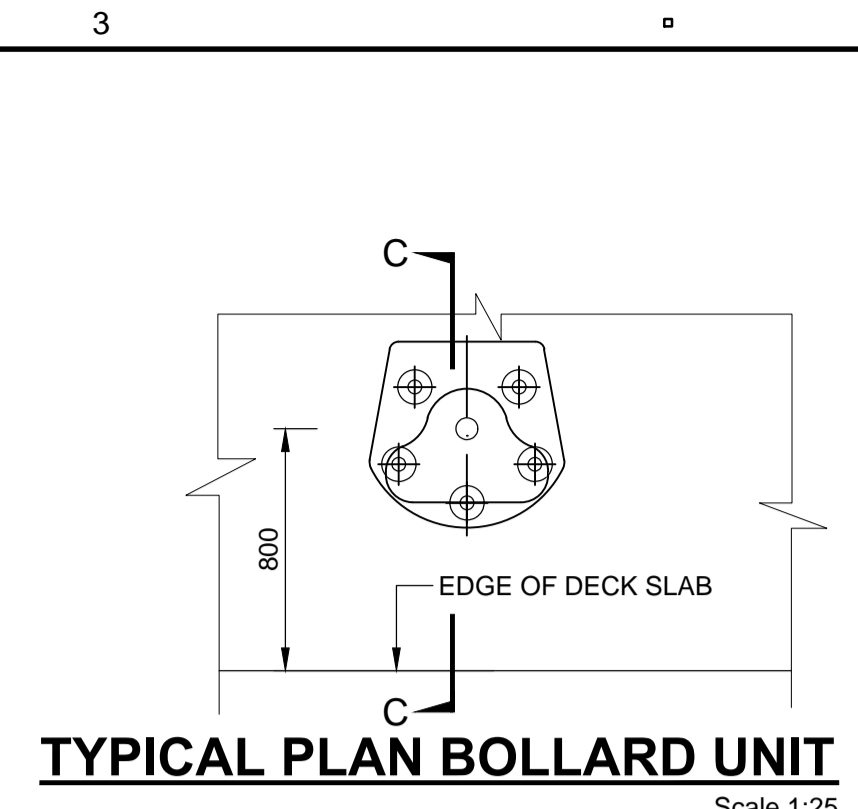
ISO A1 594mm x 841mm
 Approved:
 Checked:
 Designer:
 Project Management Initials:
 Last saved by: VERMAS2/2017-11-10, Last Plotter: 2015-10-29
 Filename: D:\PROJECTS\KALADAN-TENDER\T-CS-1009.DWG



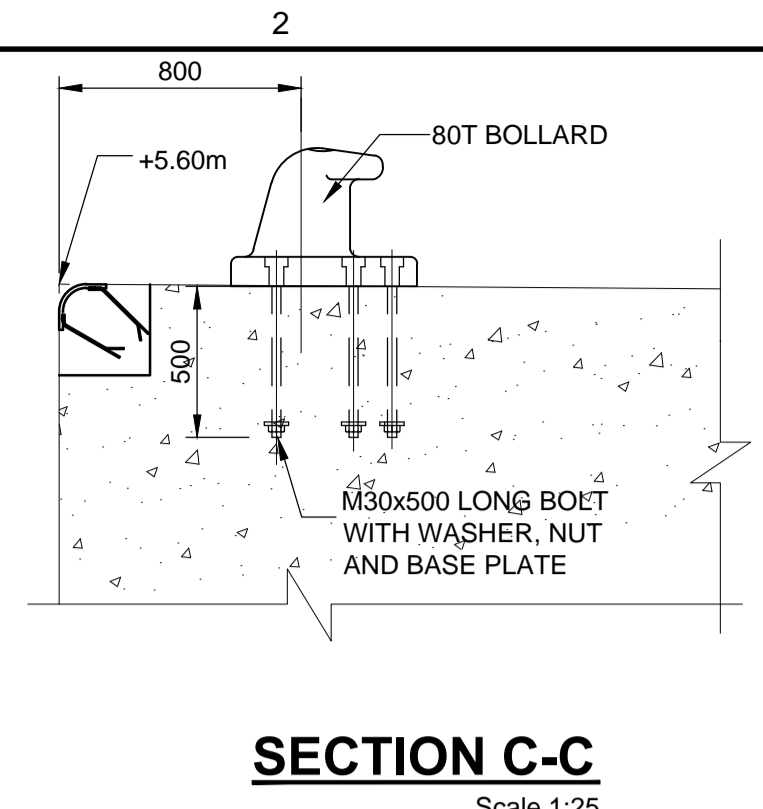
TYPICAL PLAN FENDER UNIT
Scale 1:25



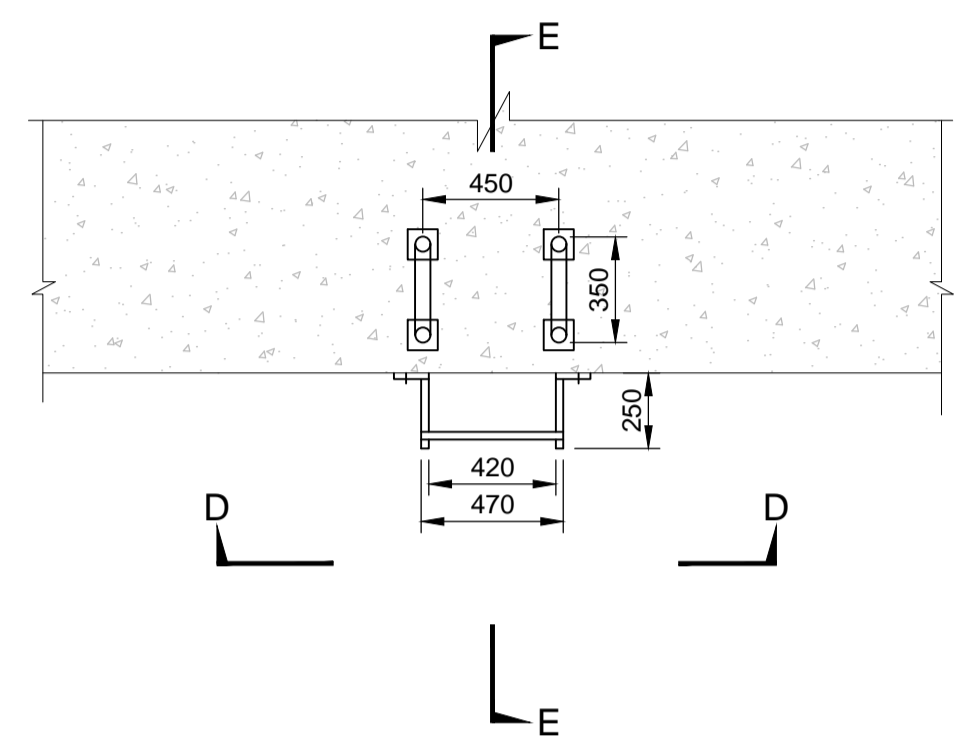
ELEVATION B-B
Scale 1:25



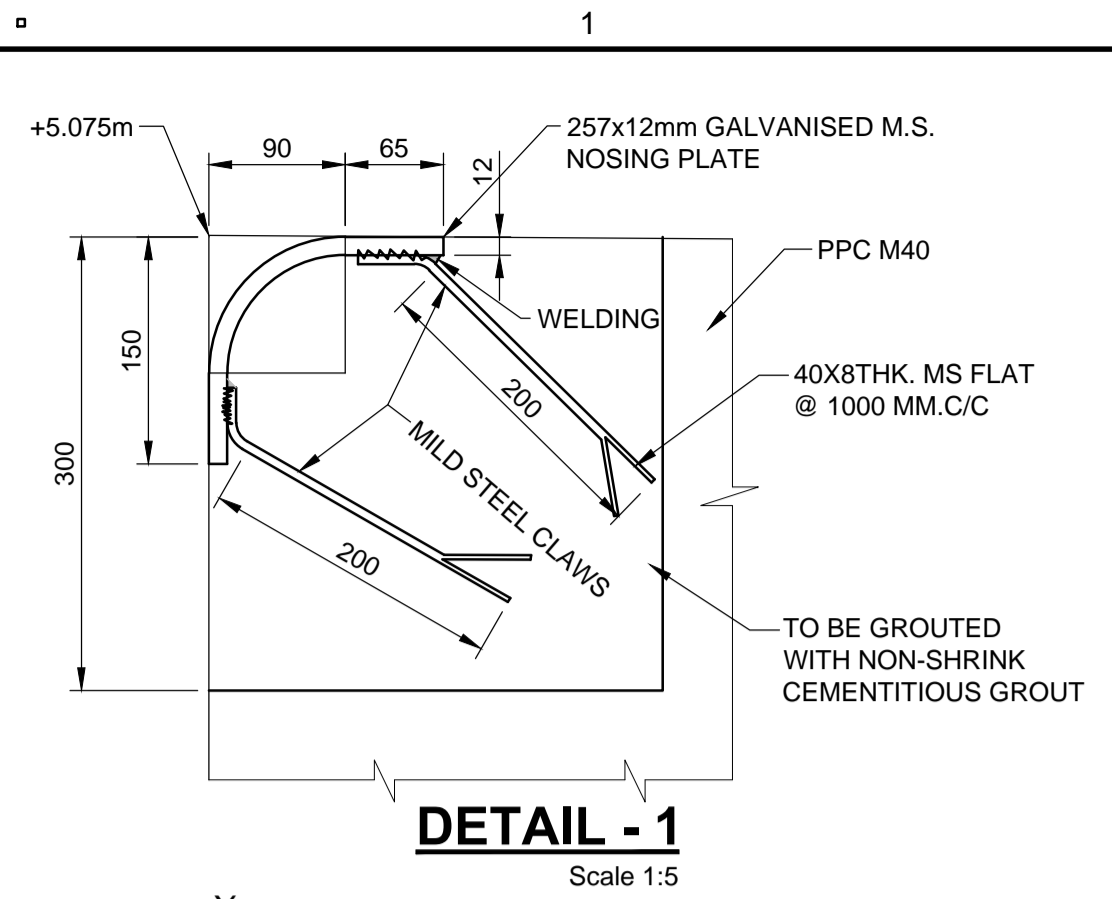
TYPICAL PLAN BOLLARD UNIT
Scale 1:25



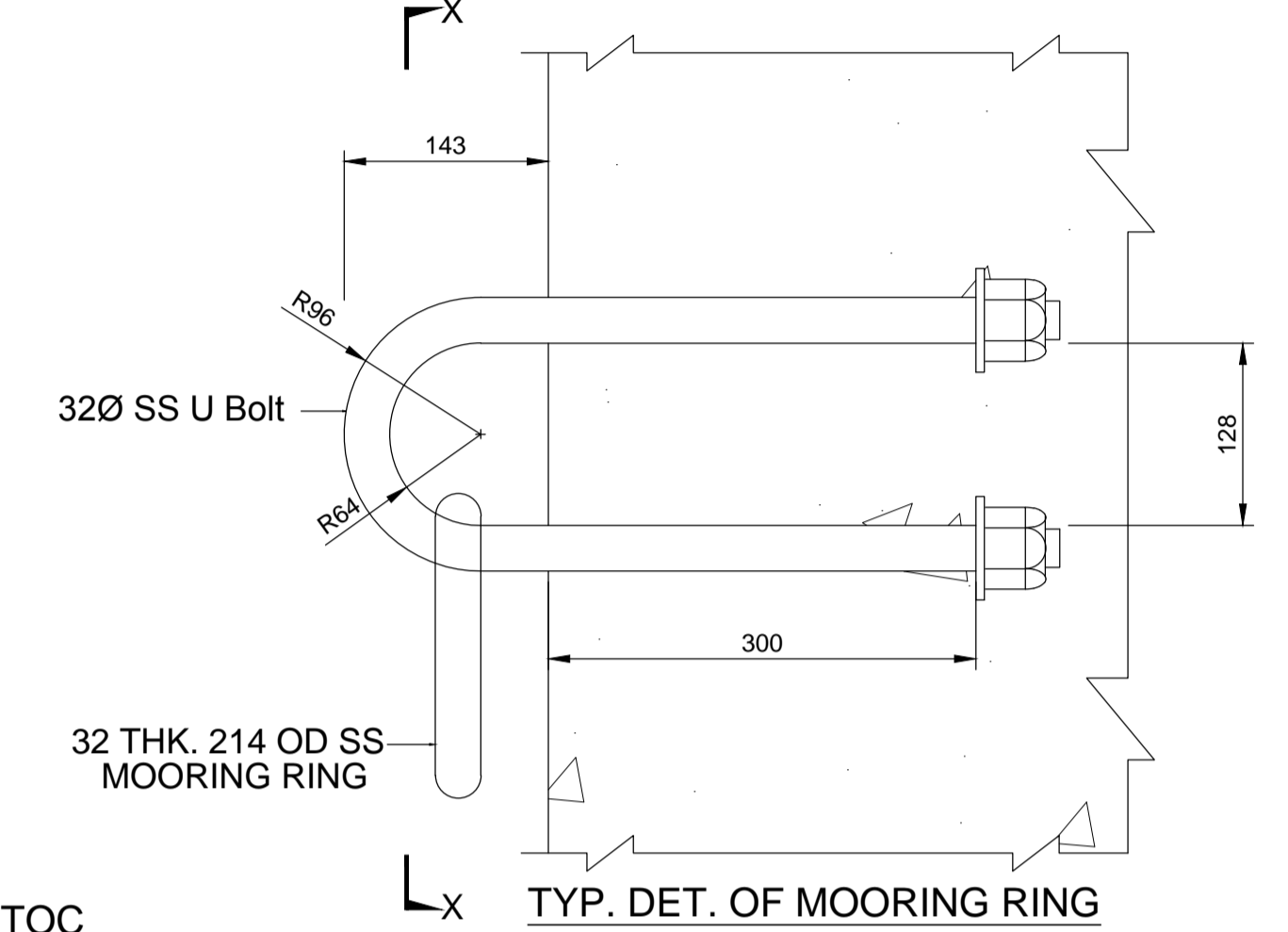
SECTION C-C
Scale 1:25



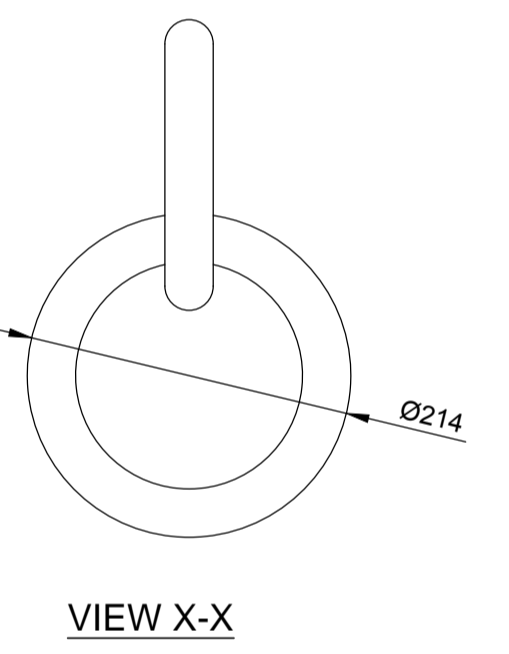
TYPICAL DETAILS OF LADDER
Scale 1:25



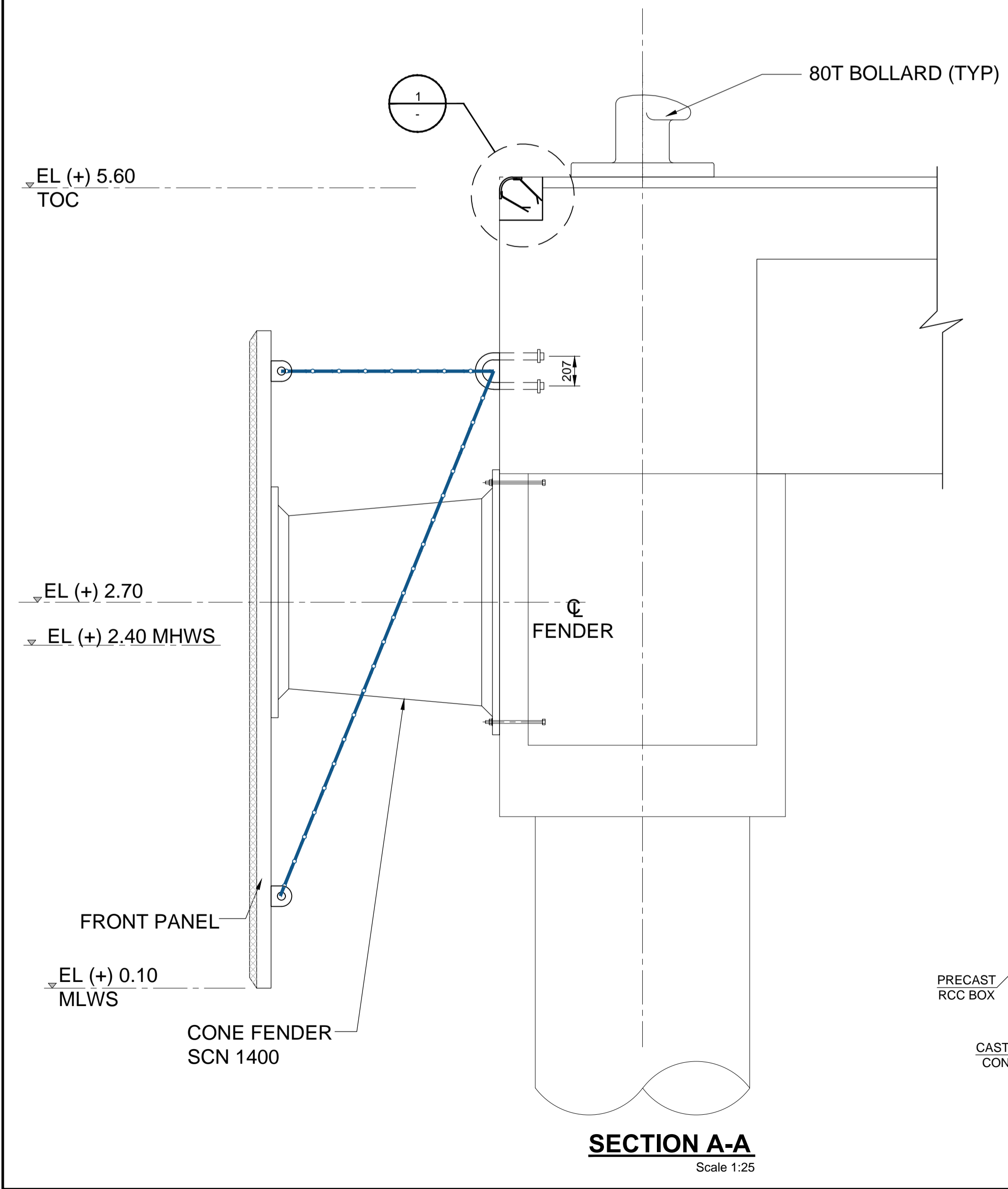
DETAIL - 1
Scale 1:5



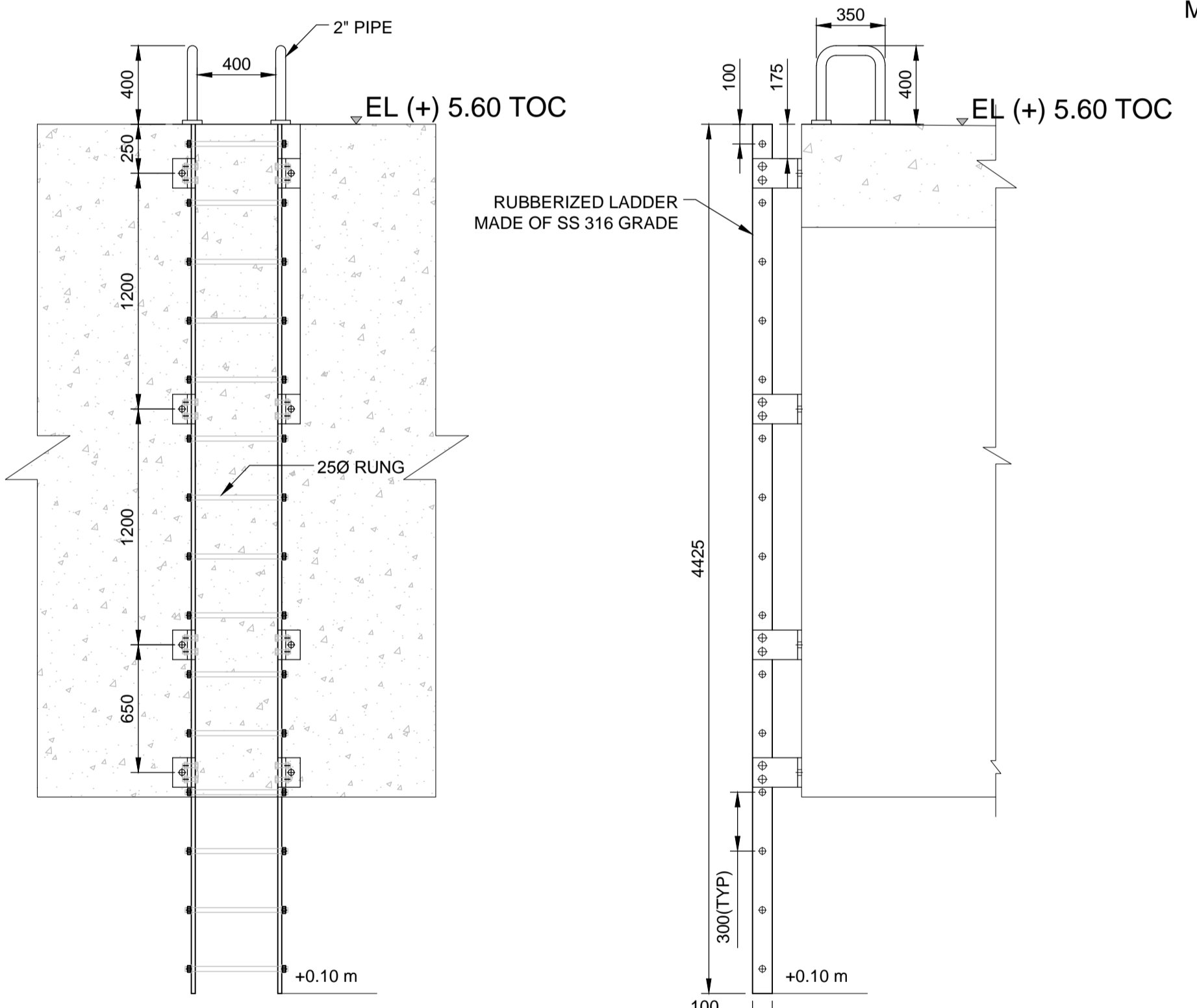
TYP. DET. OF MOORING RING



VIEW X-X

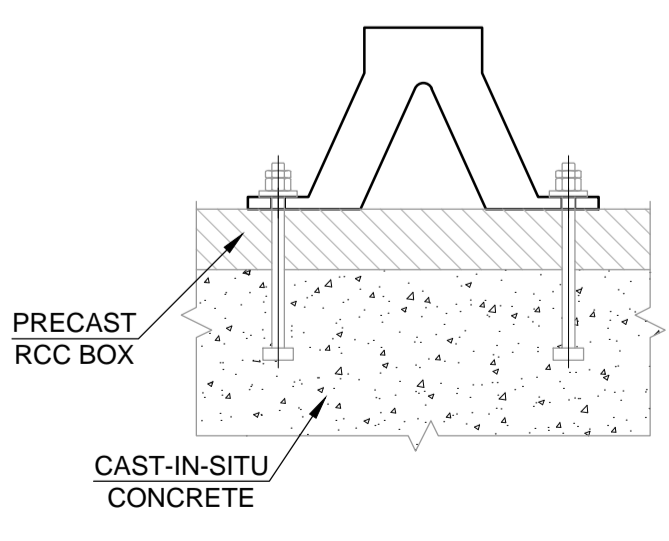


SECTION A-A
Scale 1:25

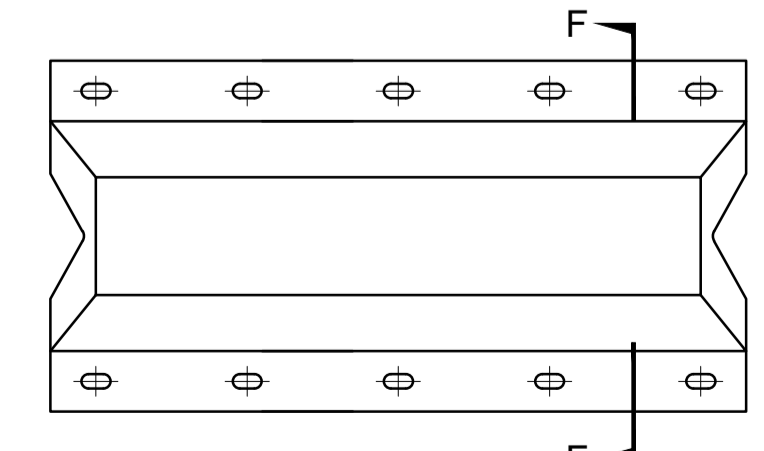


VIEW D-D
Scale 1:25

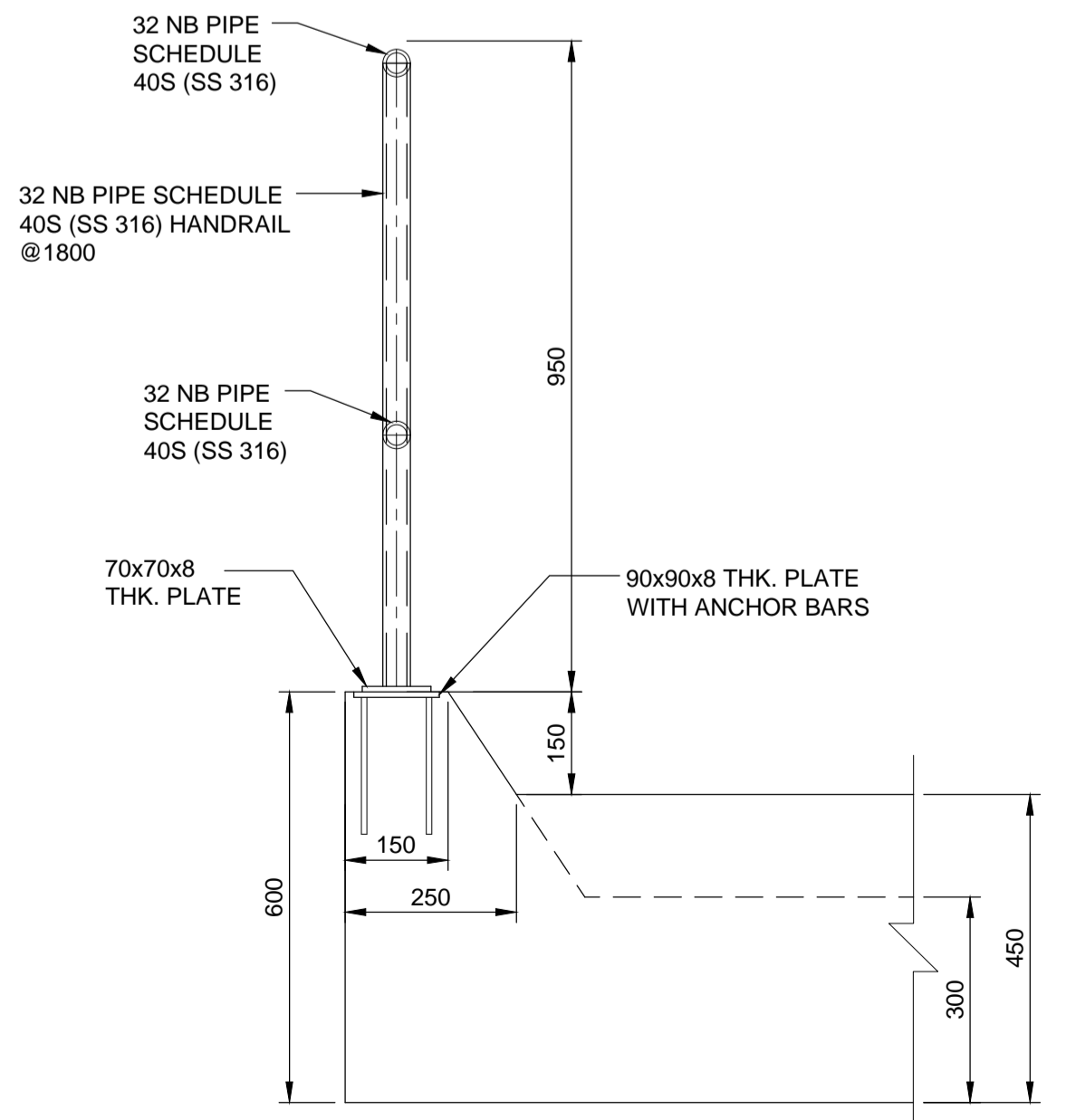
SECTION E-E
Scale 1:25



SECTION F-F
Scale 1:25



TYPICAL PLAN ARCH FENDER UNIT
Scale 1:25



TYP. DETAIL OF HANDRAIL
Scale 1:10

NOTES:-
 1 ALL DIMENSIONS ARE IN MILLIMETRES UNLESS NOTED OTHERWISE.
 2 ALL LEVELS ARE IN METRES AND WITH RESPECT TO CHART DATUM.

FOR TENDER PURPOSE ONLY

REV.	DATE	DESCRIPTION	SV	YNR	SG
0	13.11.17	FOR TENDER			

CLIENT/OWNER:
 MINISTRY OF EXTERNAL AFFAIRS / INLAND WATERWAY AUTHORITY OF INDIA

PROJECT:
 CONTAINER TERMINAL AT PORT OF SITTWE & IWT TERMINAL AT PALETWA IN MYANMAR, UNDER KALADAN MULTI-MODAL TRANSIT TRANSPORT PROJECT

PART/DISCIPLINE: **STRUCTURE** DIMENSIONS ARE IN: **MILLIMETERS**

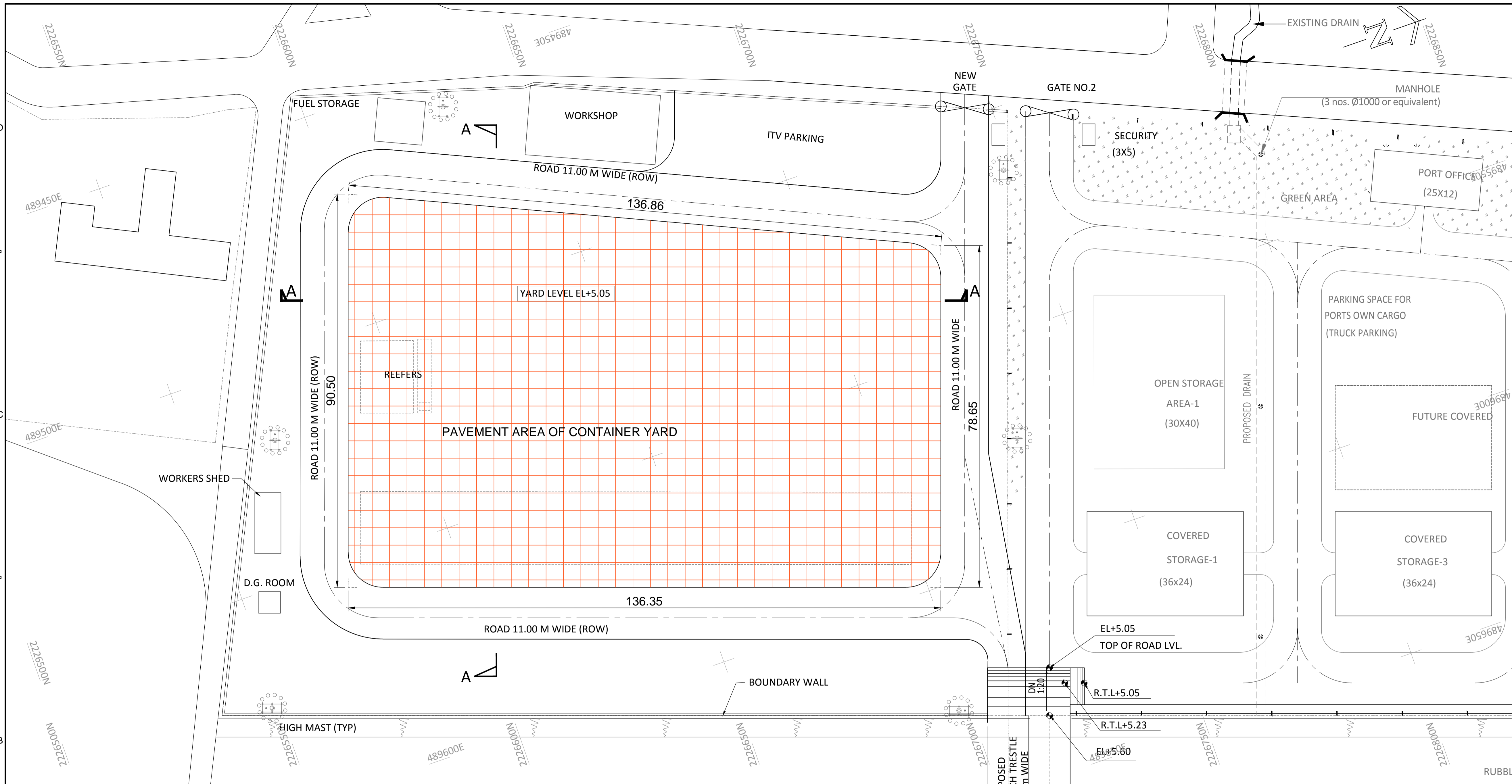
PURPOSE: **TENDER**

DRAWING TITLE: **TYPICAL DETAILS OF JETTY FIXTURES**

Sign:	Sign:	Sign:
Date:	Date:	Date:
Name:	Name:	Name:
Designed by:	Checked by:	Approved by:
DRAWING NUMBER:	REV.	
60544930-DRG-T-0000-CS-1009	0	

AECOM
 AECOM India Pvt. Ltd.

SHEET 01 OF 01



- NOTES:-
- 1 ALL DIMENSIONS ARE IN METRES. UNLESS NOTED OTHERWISE.
 - 2 ALL LEVELS ARE IN METRES AND WITH RESPECT TO CHART DATUM.

FOR TENDER PURPOSE ONLY

REV.	DATE	DESCRIPTION	DR.	CH.	APR.
0	13.11.17	FOR TENDER	SV	YNR	SG

CLIENT/OWNER:
 MINISTRY OF EXTERNAL AFFAIRS / INLAND WATERWAY AUTHORITY OF INDIA

PROJECT:
 CONTAINER TERMINAL AT PORT OF SITTWE & IWT TERMINAL AT PALETWA IN MYANMAR, UNDER KALADAN MULTI-MODAL TRANSIT TRANSPORT PROJECT

PART/DISCIPLINE: STRUCTURE
 DIMENSIONS ARE IN: MILLIMETERS

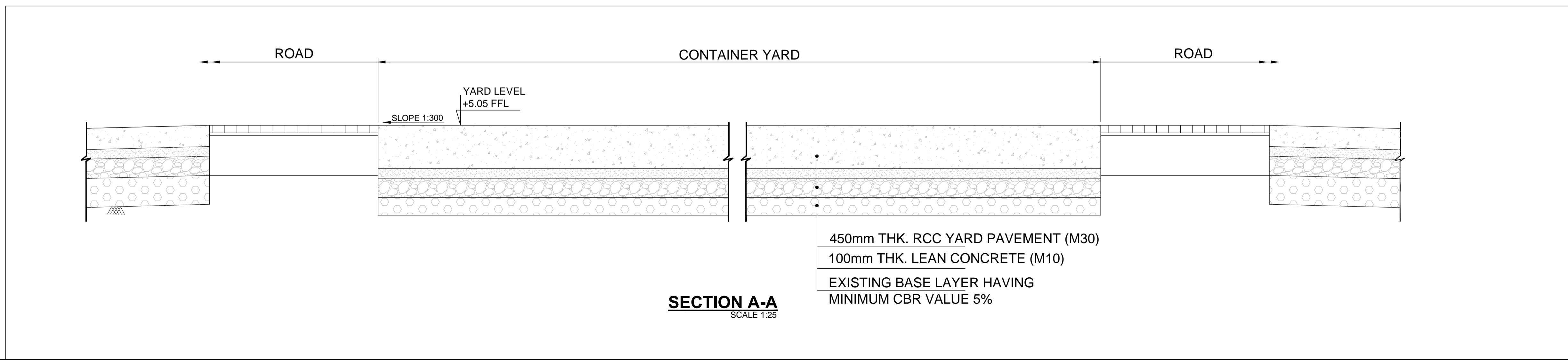
PURPOSE: TENDER

DRAWING TITLE:
 DETAILS OF CONTAINER YARD PAVEMENT AT SITTWE TERMINAL

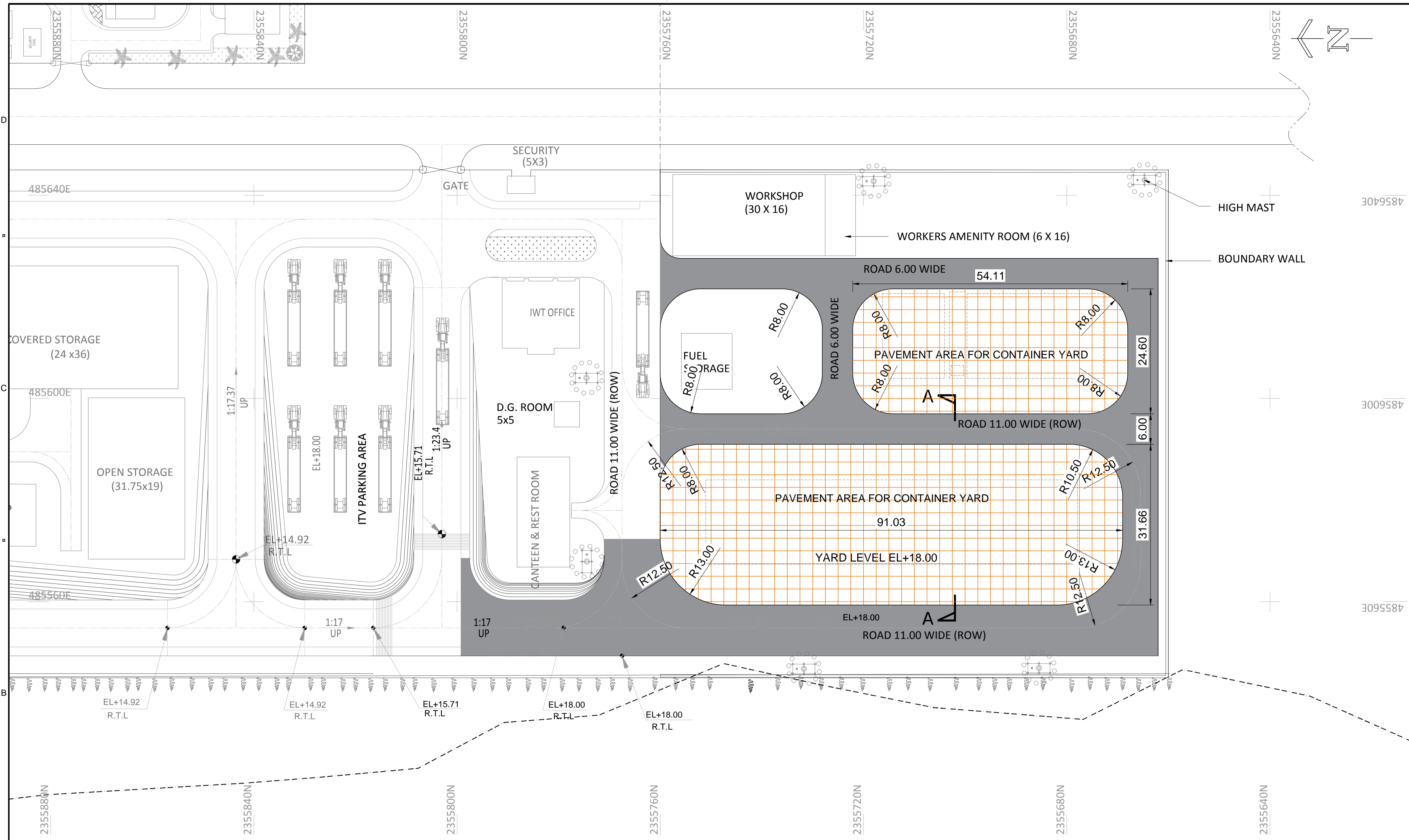
Sign:	Sign:	Sign:
Date:	Date:	Date:
Name:	Name:	Name:
Designed by	Checked by	Approved by
DRAWING NUMBER:	REV.	
60544930 -DRG- T -0000 -CS-1010	0	

AECOM
 AECOM India Pvt. Ltd.

COPYRIGHT © 2015 by AECOM
 All Rights Reserved.
 The drawing should only be used by the client/contractor for the purpose mentioned here. No part of the drawing should be reprinted from other project without written consent from AECOM.



ISO A1 594mm x 841mm
Approved:
Checked:
Designer:
Project Management Initials:



- NOTES:-**
- ALL DIMENSIONS ARE IN METRES. UNLESS NOTED OTHERWISE.
 - ALL LEVELS ARE IN METRES AND WITH RESPECT TO CHART DATUM.

FOR TENDER PURPOSE ONLY

0	13.11.17	FOR TENDER	SV	YNR	SG
REV.	DATE	DESCRIPTION	DR.	CH.	APR.
REVISION DETAILS					

CLIENT/OWNER:
MINISTRY OF EXTERNAL AFFAIRS / INLAND WATERWAY AUTHORITY OF INDIA

PROJECT:
CONTAINER TERMINAL AT PORT OF SITTWE & IWT TERMINAL AT PALETWA IN MYANMAR, UNDER KALADAN MULTI-MODAL TRANSIT TRANSPORT PROJECT

PART/DISCIPLINE: **STRUCTURE** DIMENSIONS ARE IN MILLIMETERS

PURPOSE: **TENDER**

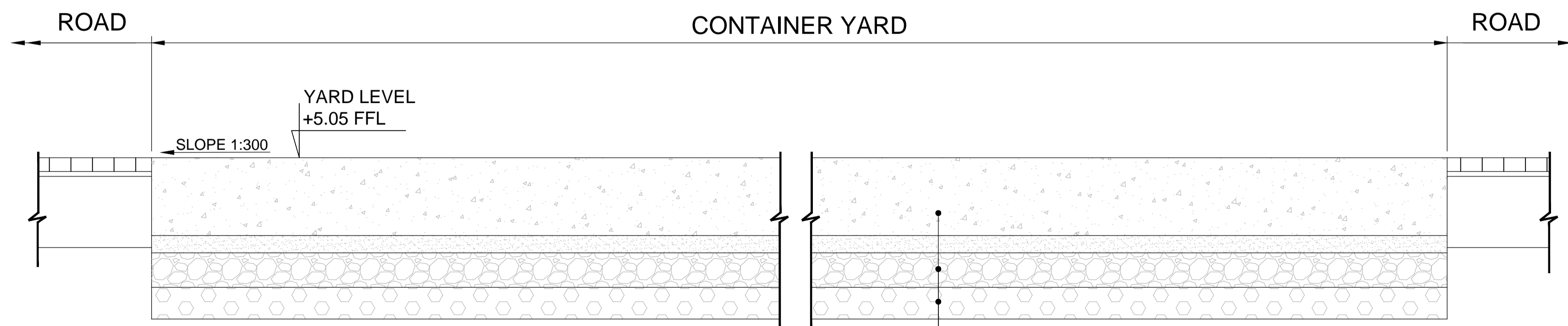
DRAWING TITLE:
DETAILS OF CONTAINER YARD PAVEMENT AT PALETWA

Sign:	Sign:	Sign:
Date:	Date:	Date:
Name:	Name:	Name:
Designed by	Checked by	Approved by

DRAWING NUMBER:	REV.
60544930 -DRG- T -0000-CS-1011	0

AECOM
AECOM India Pvt. Ltd.

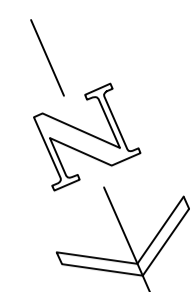
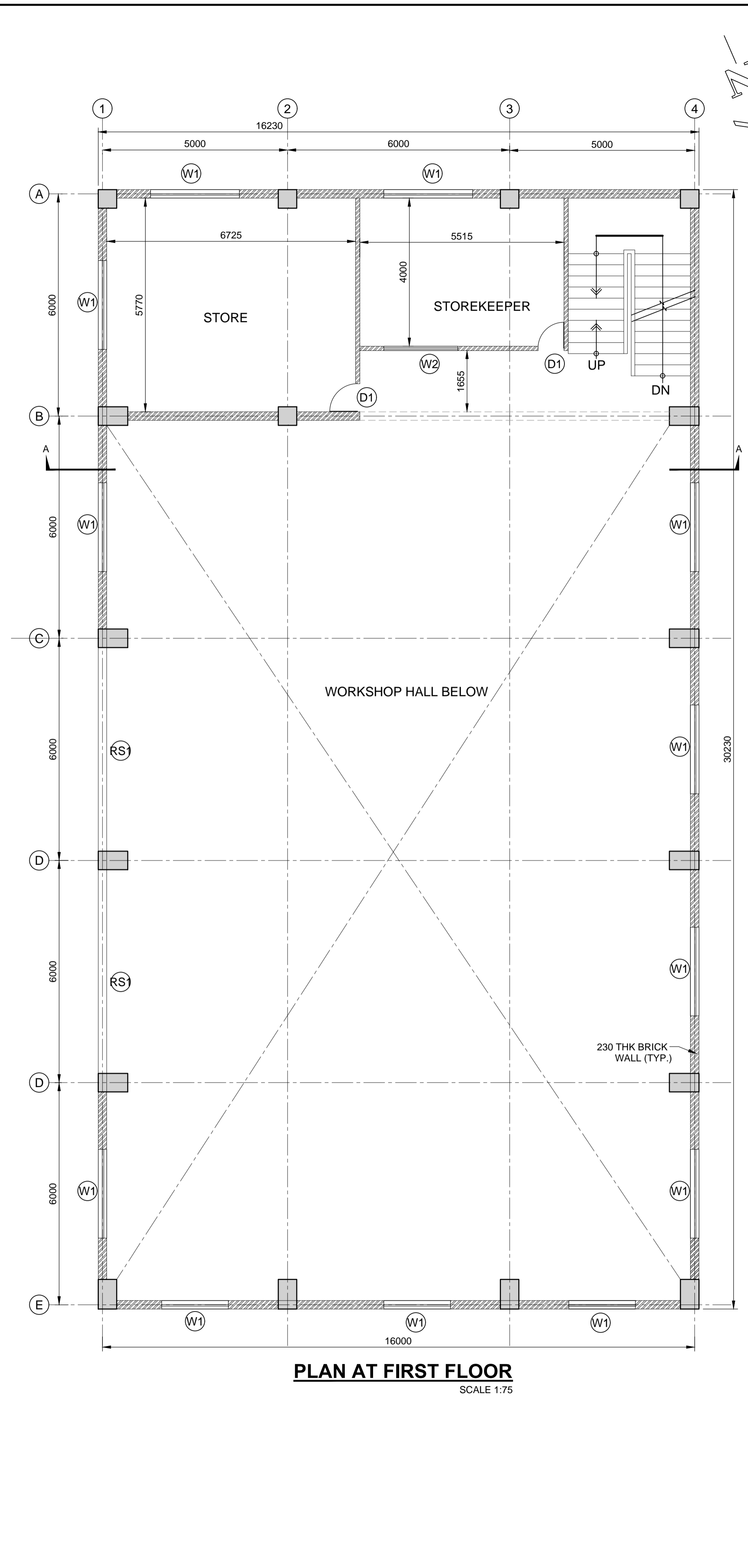
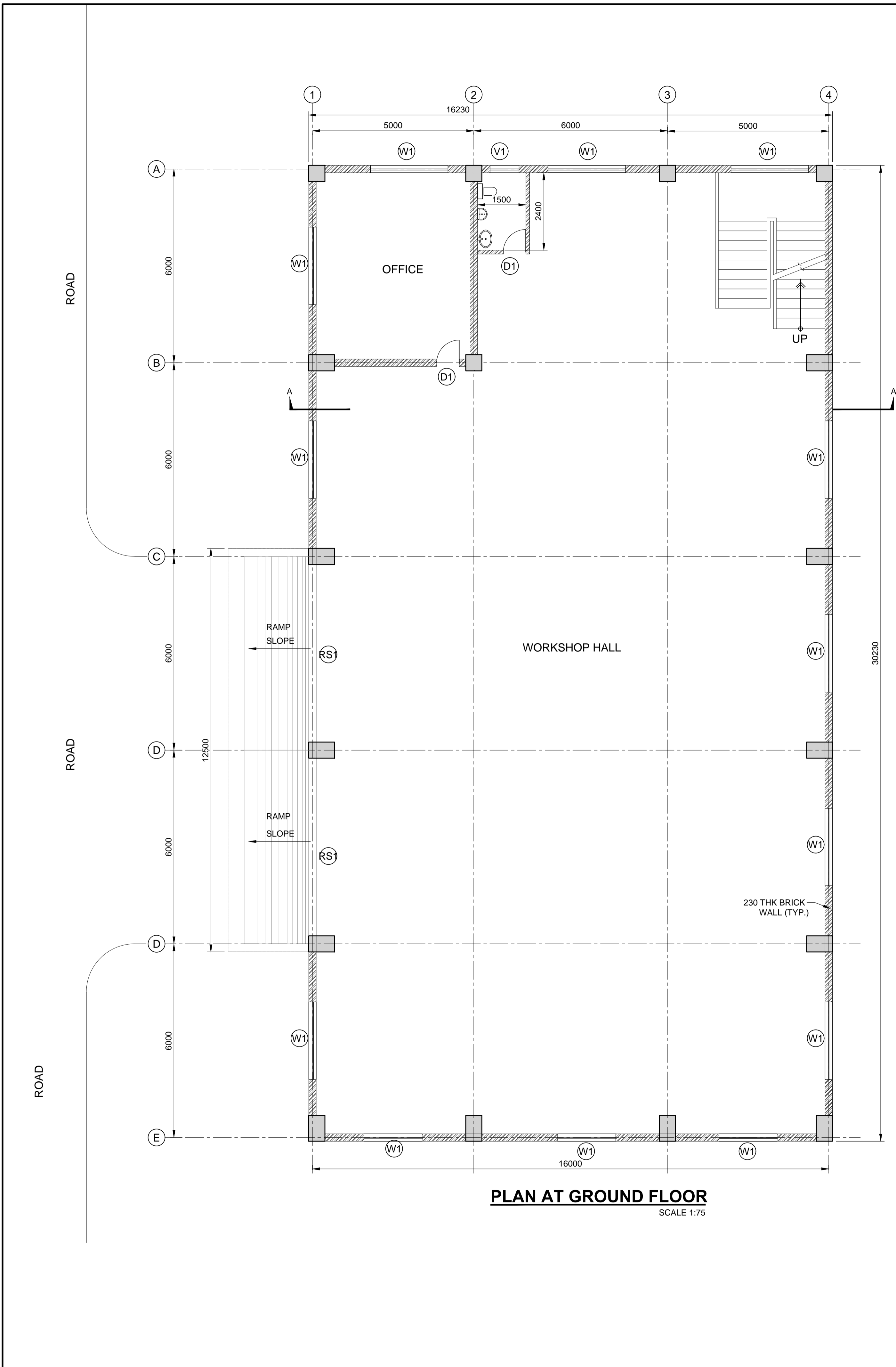
SHEET 01 OF 01



SECTION A-A
SCALE 1:25

450mm THK. RCC YARD PAVEMENT (M30)
100mm THK. LEAN CONCRETE (M10)
EXISTING BASE LAYER HAVING
MINIMUM CBR VALUE 5%

Last saved by: VERMASZ(2017-11-10) Last Plotted: 2015-10-29
Filename: D:\PROJECTS\KALADAN\TENDER\CS-1011.DWG



- NOTES:-
- 1 ALL DIMENSIONS ARE IN MILLIMETRES UNLESS NOTED OTHERWISE.
 - 2 ALL LEVELS ARE IN METRES AND WITH RESPECT TO CHART DATUM.

FOR TENDER PURPOSE ONLY

REV.	DATE	DESCRIPTION	SV	YNR	SG
0	13.11.17	FOR TENDER			

CLIENT/OWNER:
MINISTRY OF EXTERNAL AFFAIRS / INLAND WATERWAY AUTHORITY OF INDIA

PROJECT:
CONTAINER TERMINAL AT PORT OF SITTWE & IWT TERMINAL AT PALETWA IN MYANMAR, UNDER KALADAN MULTI-MODAL TRANSIT TRANSPORT PROJECT

PART/DISCIPLINE: STRUCTURE
DIMENSIONS ARE IN: MILLIMETERS

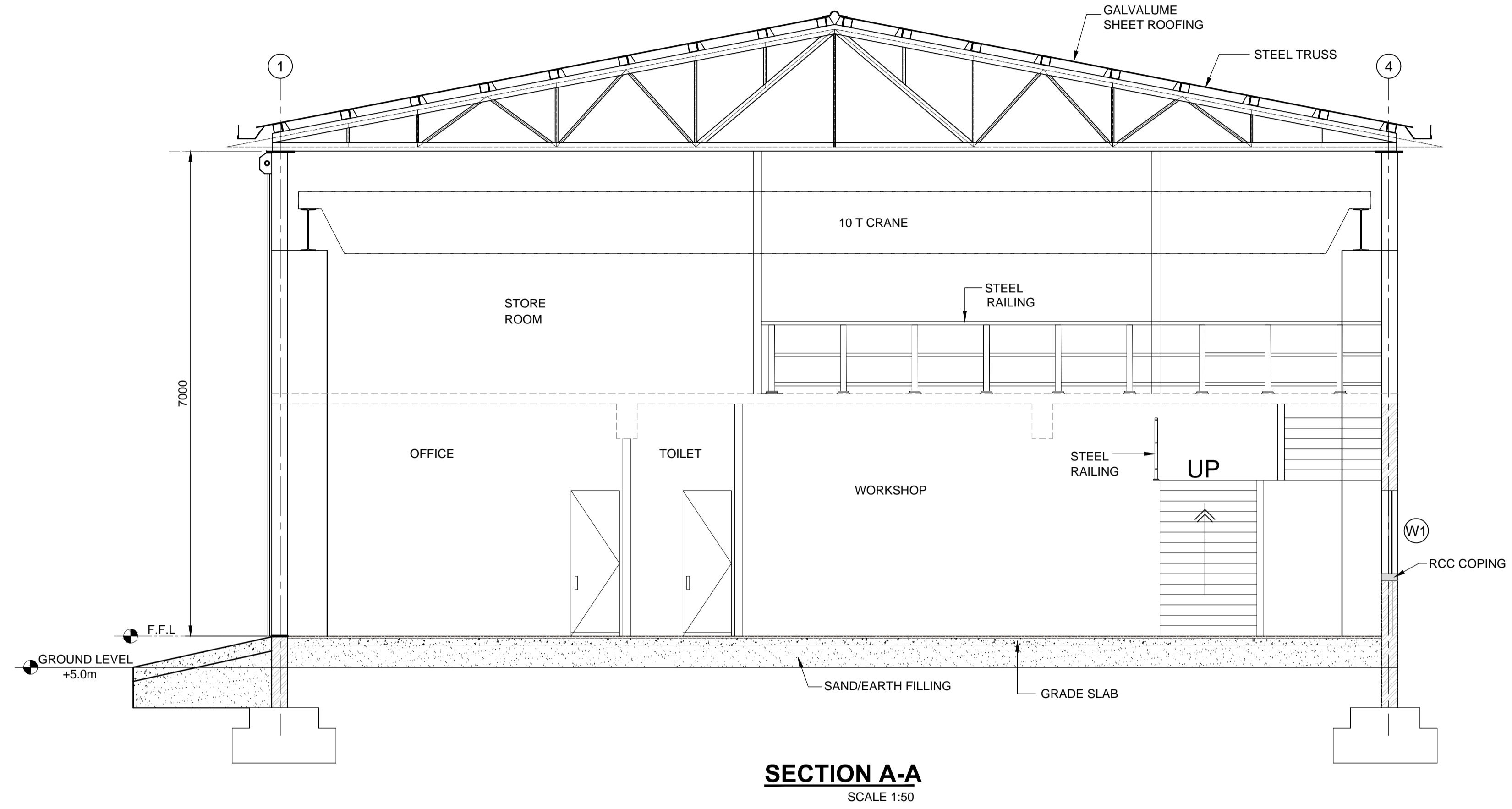
PURPOSE: TENDER
DRAWING TITLE: LAYOUT PLAN OF WORKSHOP BUILDING AT SITTWE

Sign:	Sign:	Sign:
Date:	Date:	Date:
Name:	Name:	Name:
Designed by:	Checked by:	Approved by:
DRAWING NUMBER:		REV.
60544930 -DRG- T -0000 -CS-1012		0

AECOM
AECOM India Pvt. Ltd.

COPYRIGHT © 2015 by AECOM
All Rights Reserved
The drawing should only be used by the client/contractor for the purpose mentioned here. No part of the drawing should be referred from other project without written consent from AECOM

SHEET 01 OF 01



NOTES:-
 1 ALL DIMENSIONS ARE IN MILLIMETRES UNLESS NOTED OTHERWISE.
 2 ALL LEVELS ARE IN METRES AND WITH RESPECT TO CHART DATUM.

FOR TENDER PURPOSE ONLY

REV.	DATE	DESCRIPTION	DR.	CH.	APR.
0	13.11.17	FOR TENDER	SV	YNR	SG

CLIENT/OWNER:
 MINISTRY OF EXTERNAL AFFAIRS / INLAND WATERWAY AUTHORITY OF INDIA

PROJECT:
 CONTAINER TERMINAL AT PORT OF SITTWE & IWT TERMINAL AT PALETWA IN MYANMAR, UNDER KALADAN MULTI-MODAL TRANSIT TRANSPORT PROJECT

PART/DISCIPLINE: STRUCTURE DIMENSIONS ARE IN: MILLIMETERS

PURPOSE: TENDER

DRAWING TITLE:
 SECTION OF WORKSHOP BUILDING AT SITTWE

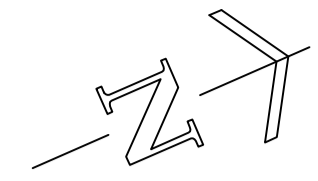
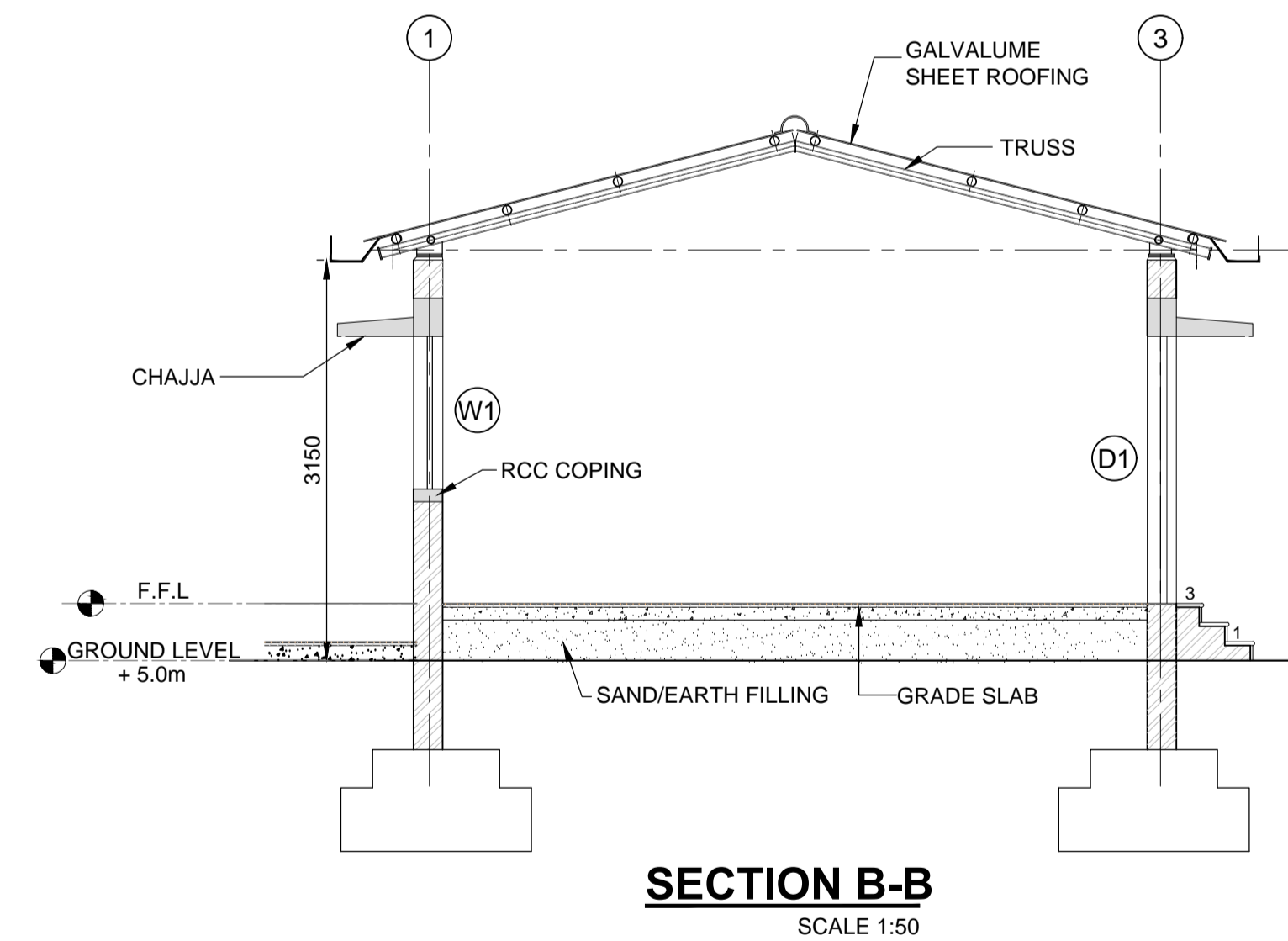
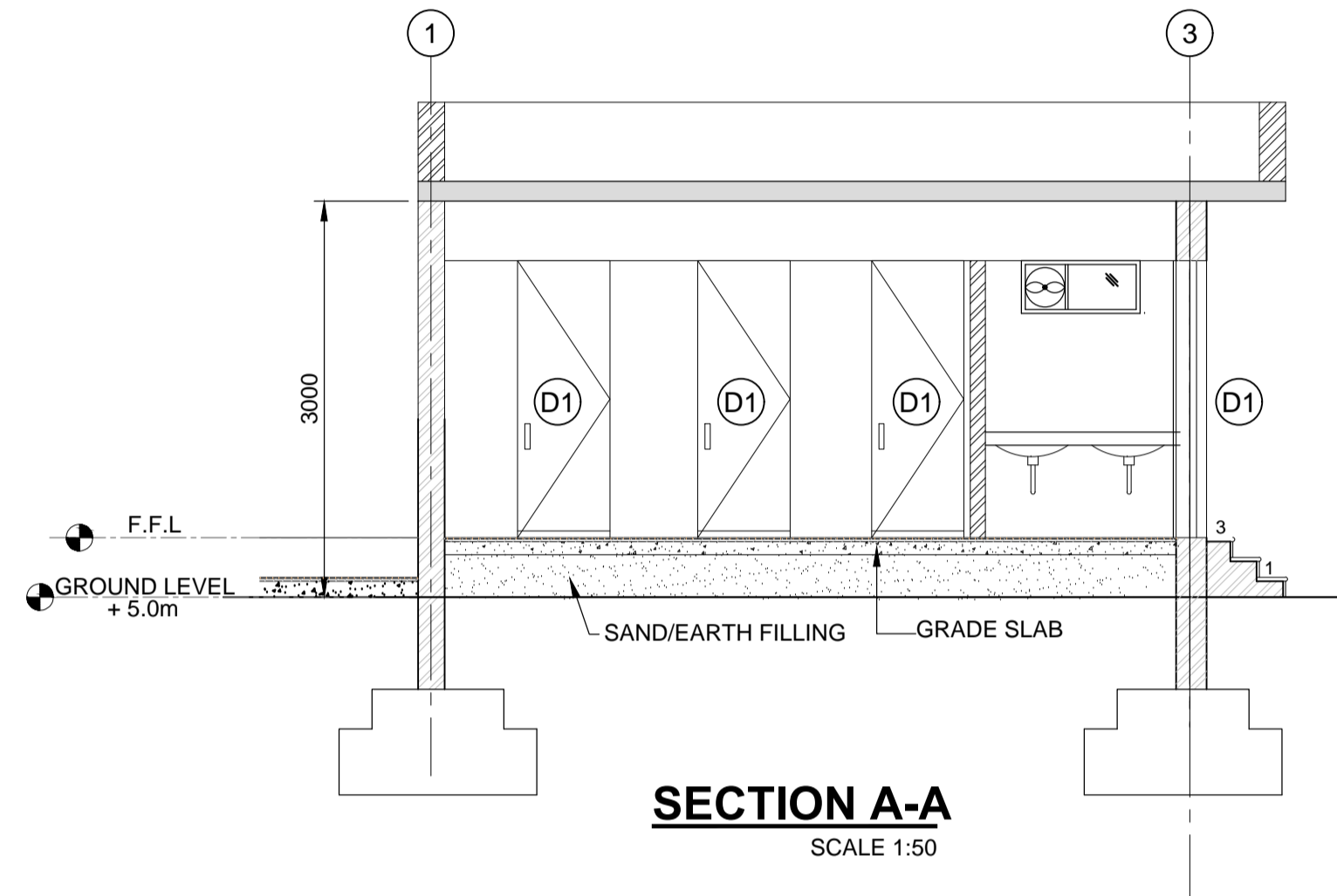
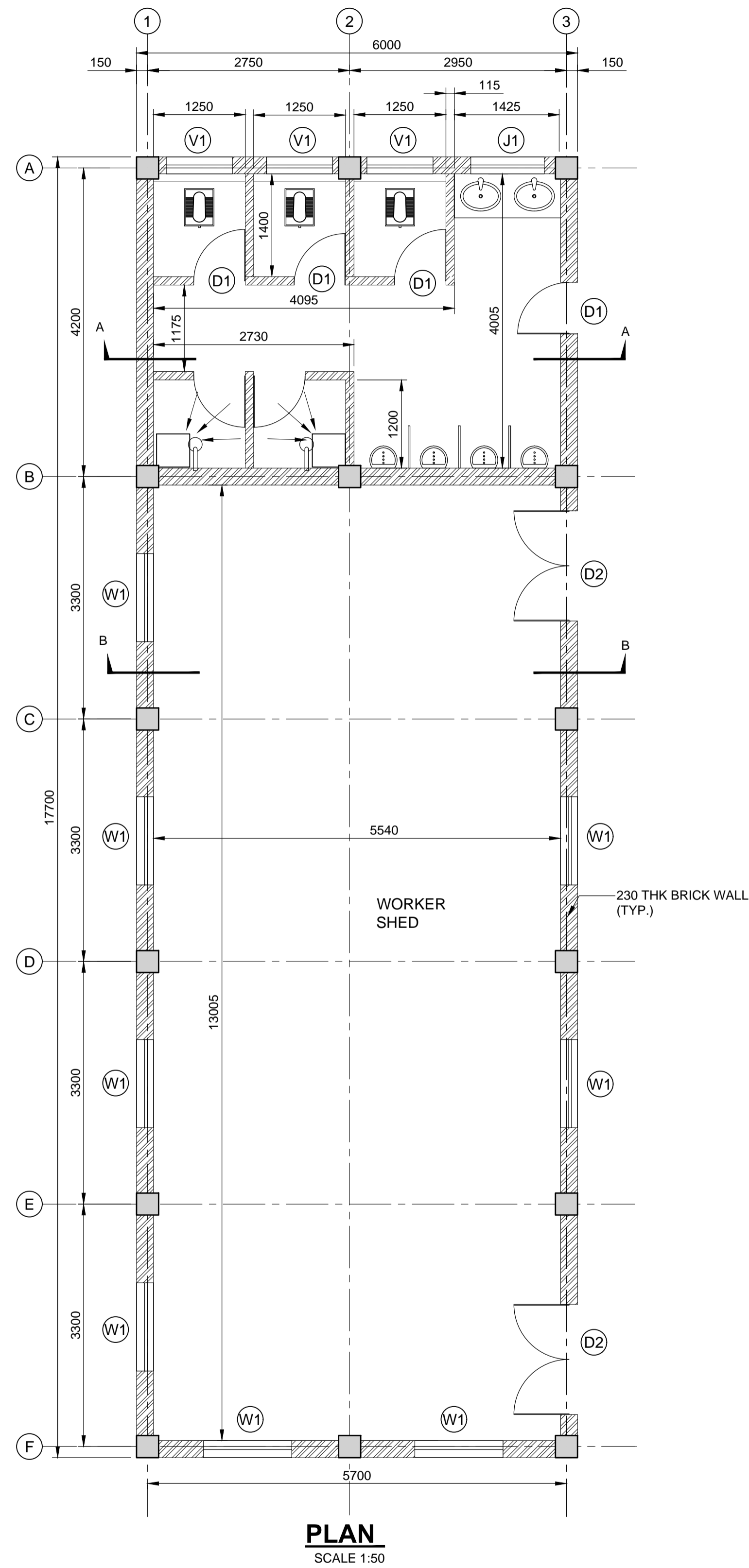
Sign:	Sign:	Sign:
Date:	Date:	Date:
Name:	Name:	Name:
Designed by	Checked by	Approved by

DRAWING NUMBER: 60544930 -DRG- T -0000 -CS-1013 REV. 0

AECOM
 AECOM India Pvt. Ltd.

COPYRIGHT © 2015 by AECOM
 All Rights Reserved
 The drawing should only be used by the client/contractor for the purpose mentioned here. No part of the drawing should be referred from other project without written consent from AECOM

SHEET 01 OF 01



- NOTES:-
- 1 ALL DIMENSIONS ARE IN MILLIMETRES UNLESS NOTED OTHERWISE.
 - 2 ALL LEVELS ARE IN METRES AND WITH RESPECT TO CHART DATUM.

FOR TENDER PURPOSE ONLY

REV.	DATE	DESCRIPTION	SV	YNR	SG
0	13.11.17	FOR TENDER			

CLIENT/OWNER:
 MINISTRY OF EXTERNAL AFFAIRS / INLAND WATERWAY AUTHORITY OF INDIA

PROJECT:
 CONTAINER TERMINAL AT PORT OF SITTWE & IWT TERMINAL AT PALETWA IN MYANMAR, UNDER KALADAN MULTI-MODAL TRANSIT TRANSPORT PROJECT

PART/DISCIPLINE: STRUCTURE
 DIMENSIONS ARE IN: MILLIMETERS

PURPOSE: TENDER
 DRAWING TITLE: PLAN AND SECTION OF WORKER'S AMENITY ROOM AT SITTWE

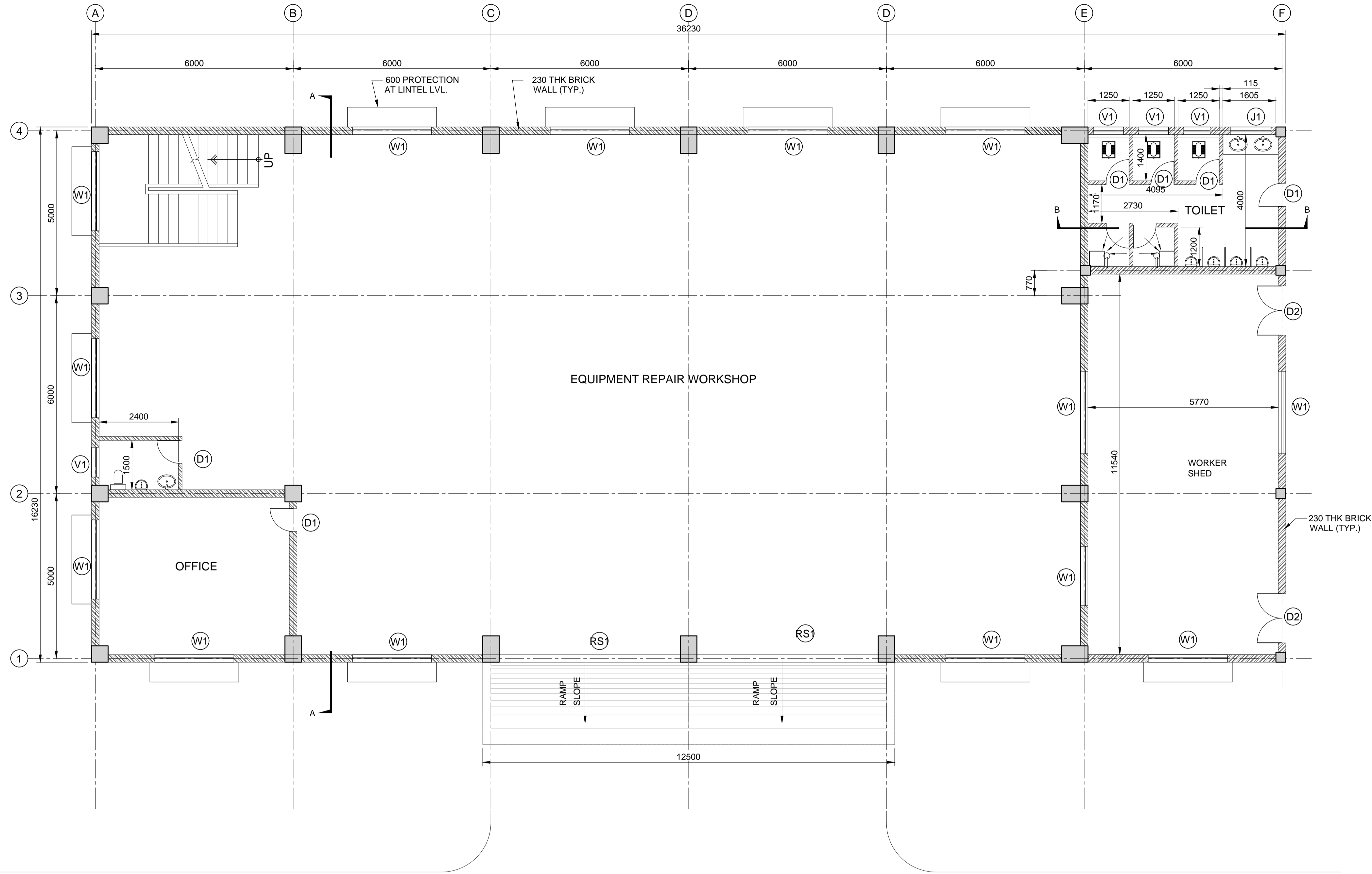
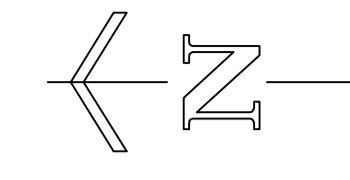
Sign:	Sign:	Sign:
Date:	Date:	Date:
Name:	Name:	Name:
Designed by:	Checked by:	Approved by:

DRAWING NUMBER: 60544930 -DRG- T -0000 -CS-1014
 REV: 0

AECOM
 AECOM India Pvt. Ltd.

SHEET 01 OF 01

COPYRIGHT © 2015 by AECOM
 All Rights Reserved
 The drawing should only be used by the client/contractor for the purpose mentioned here. No part of the drawing should be reprinted from other project without written consent from AECOM



PLAN AT GROUND FLOOR LEVEL
SCALE 1:75

NOTES:-
 1 ALL DIMENSIONS ARE IN MILLIMETRES UNLESS NOTED OTHERWISE.
 2 ALL LEVELS ARE IN METRES AND WITH RESPECT TO CHART DATUM.

FOR TENDER PURPOSE ONLY

REV.	DATE	DESCRIPTION	SV	YNR	SG
0	13.11.17	FOR TENDER			

CLIENT/OWNER:
 MINISTRY OF EXTERNAL AFFAIRS / INLAND WATERWAY AUTHORITY OF INDIA

PROJECT:
 CONTAINER TERMINAL AT PORT OF SITTWE & IWT TERMINAL AT PALETWA IN MYANMAR, UNDER KALADAN MULTI-MODAL TRANSIT TRANSPORT PROJECT

PART/DISCIPLINE: STRUCTURE
 DIMENSIONS ARE IN: MILLIMETERS

PURPOSE: TENDER

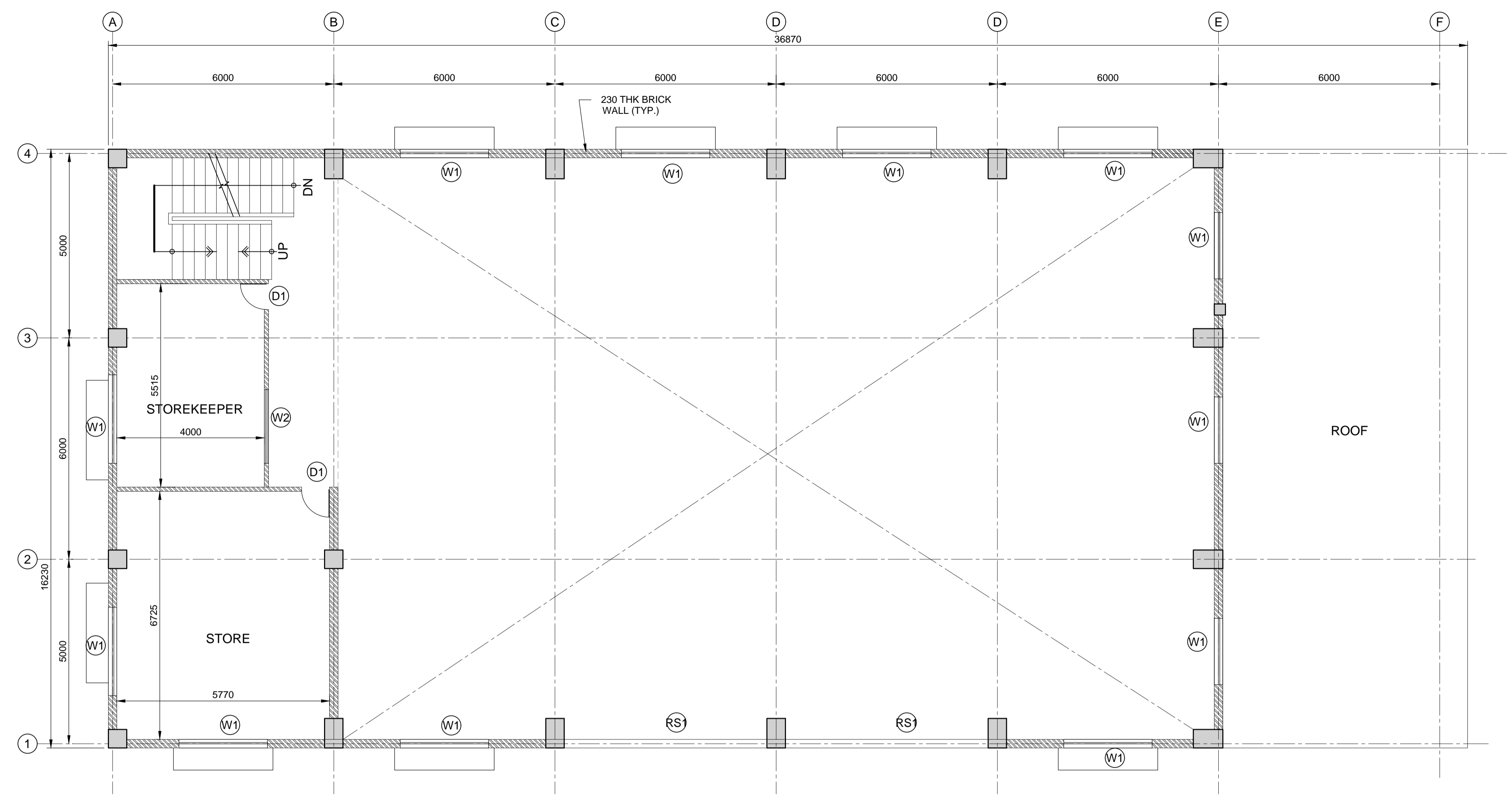
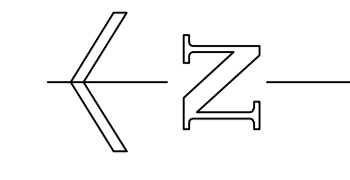
DRAWING TITLE:
 GROUND FLOOR PLAN OF WORKSHOP AND WORKER'S AMENITY ROOM AT PALETWA

Sign:	Sign:	Sign:
Date:	Date:	Date:
Name:	Name:	Name:

Designed by: _____ Checked by: _____ Approved by: _____
 DRAWING NUMBER: 60544930 - DRG - T -0000 -CS-1015 REV. 0

AECOM
 AECOM India Pvt. Ltd.
COPYRIGHT © 2015 by AECOM
 All Rights Reserved
 The drawing should only be used by the client/contractor for the purpose mentioned here. No part of the drawing should be reprinted from other project without written consent from AECOM

SHEET 01 OF 01



PLAN AT FIRST FLOOR LEVEL
SCALE 1:75

NOTES:-
 1 ALL DIMENSIONS ARE IN MILLIMETRES UNLESS NOTED OTHERWISE.
 2 ALL LEVELS ARE IN METRES AND WITH RESPECT TO CHART DATUM.

FOR TENDER PURPOSE ONLY

REV.	DATE	DESCRIPTION	DR.	CH.	APR.
0	13.11.17	FOR TENDER	SV	YNR	SG

CLIENT/OWNER:
 MINISTRY OF EXTERNAL AFFAIRS / INLAND WATERWAY AUTHORITY OF INDIA

PROJECT:
 CONTAINER TERMINAL AT PORT OF SITTWE & IWT TERMINAL AT PALETWA IN MYANMAR, UNDER KALADAN MULTI-MODAL TRANSIT TRANSPORT PROJECT

PART/DISCIPLINE: STRUCTURE
 DIMENSIONS ARE IN: MILLIMETERS

PURPOSE: TENDER

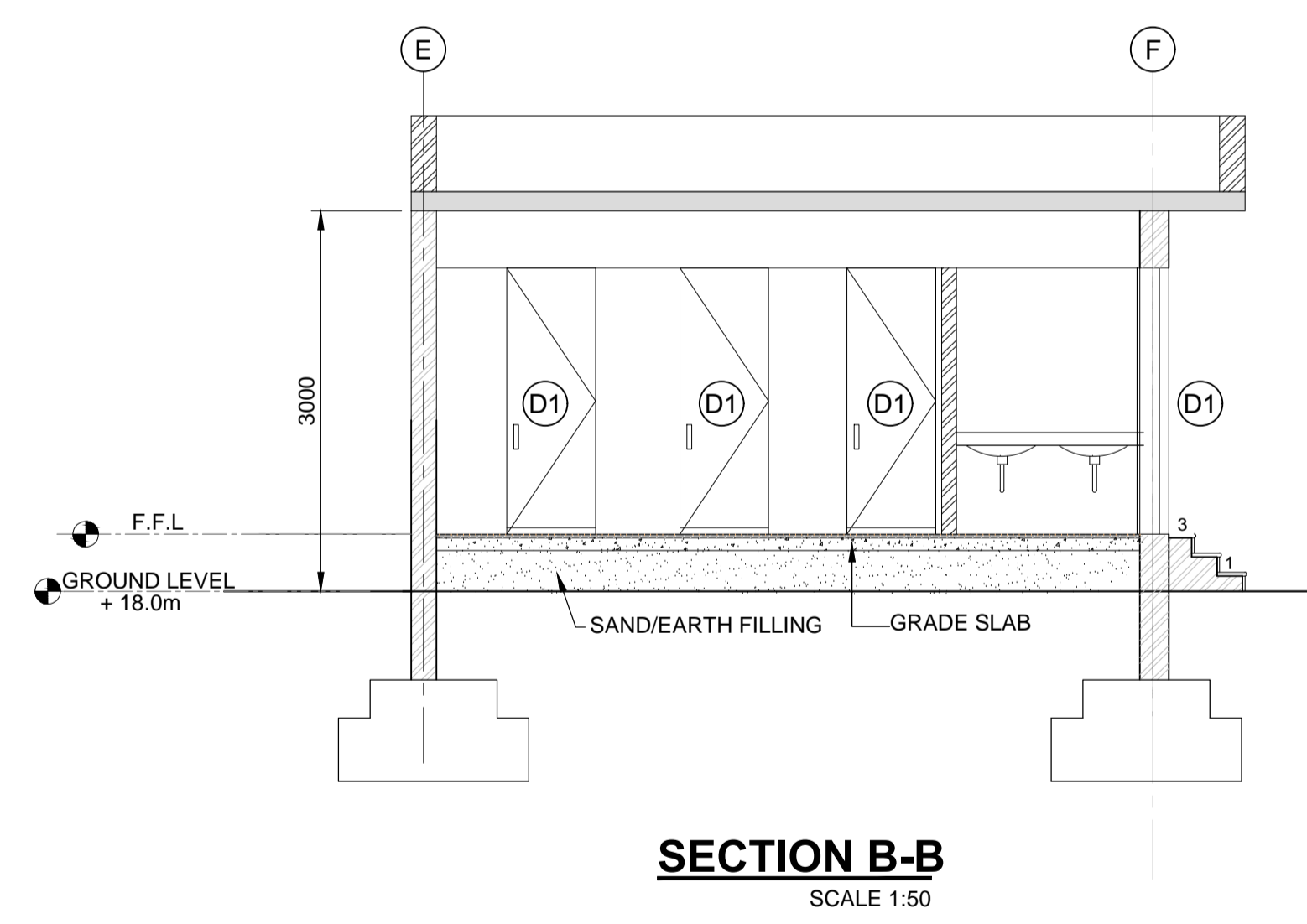
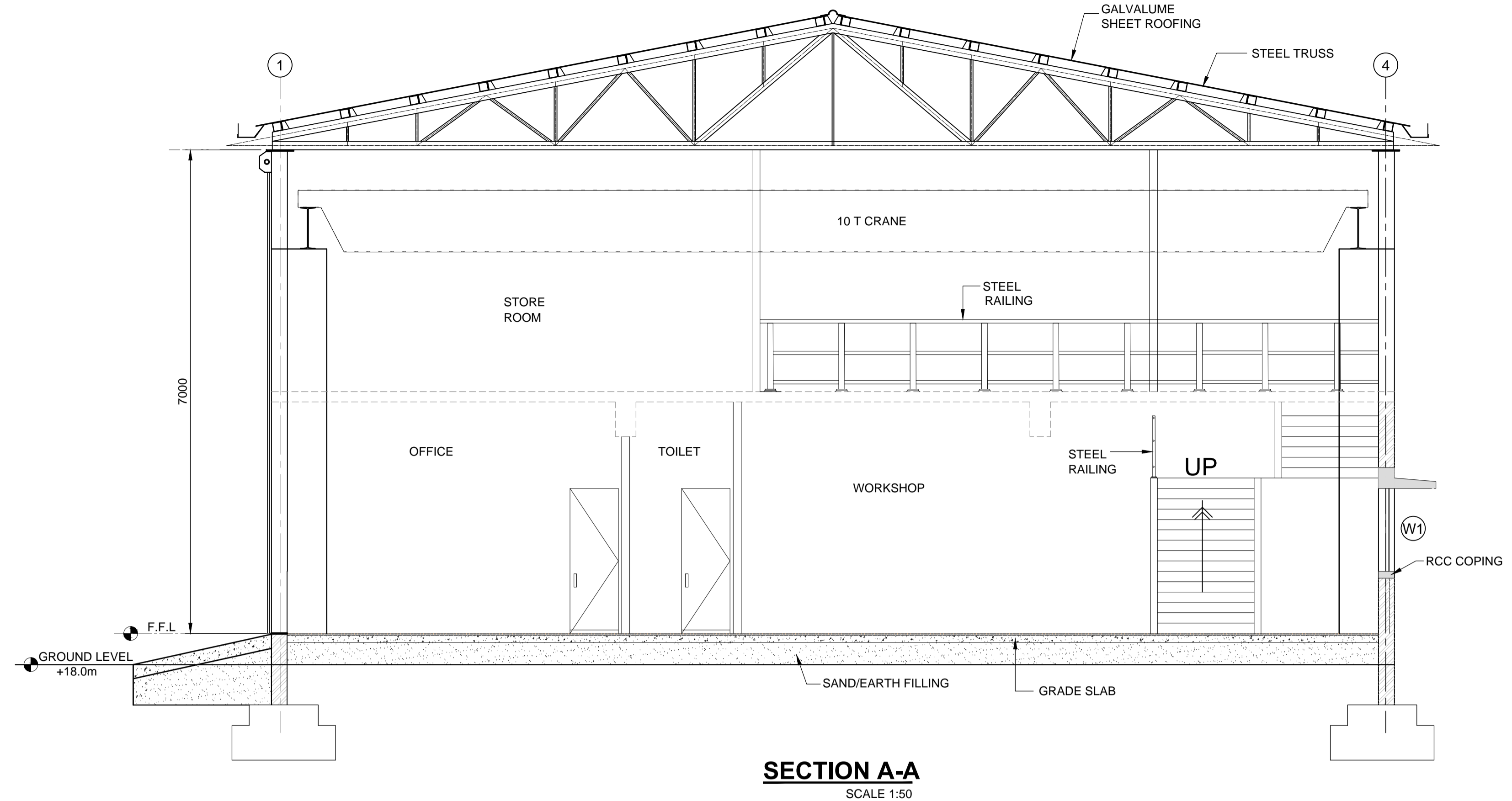
DRAWING TITLE:
 FIRST FLOOR PLAN OF WORKSHOP AND WORKER'S AMENITY ROOM AT PALETWA

Sign:	Sign:	Sign:
Date:	Date:	Date:
Name:	Name:	Name:

Designed by: _____ Checked by: _____ Approved by: _____
 DRAWING NUMBER: 60544930 -DRG- T -0000 -CS-1016 REV. 0

AECOM
 AECOM India Pvt. Ltd.
COPYRIGHT © 2015 by AECOM
 All Rights Reserved
 The drawing should only be used by the client/contractor for the purpose mentioned here. No part of the drawing should be retransmitted from other project without written consent from AECOM.

SHEET 01 OF 01



NOTES:-
 1 ALL DIMENSIONS ARE IN MILLIMETRES UNLESS NOTED OTHERWISE.
 2 ALL LEVELS ARE IN METRES AND WITH RESPECT TO CHART DATUM.

FOR TENDER PURPOSE ONLY

REV.	DATE	DESCRIPTION	SV	YNR	SG
0	13.11.17	FOR TENDER			

CLIENT/OWNER:
 MINISTRY OF EXTERNAL AFFAIRS / INLAND WATERWAY AUTHORITY OF INDIA

PROJECT:
 CONTAINER TERMINAL AT PORT OF SITTWE & IWT TERMINAL AT PALETWA IN MYANMAR, UNDER KALADAN MULTI-MODAL TRANSIT TRANSPORT PROJECT

PART/DISCIPLINE: STRUCTURE
 DIMENSIONS ARE IN: MILLIMETERS

PURPOSE: TENDER

DRAWING TITLE:
 SECTIONS OF WORKSHOP AND WORKER'S AMENITY ROOM AT PALETWA

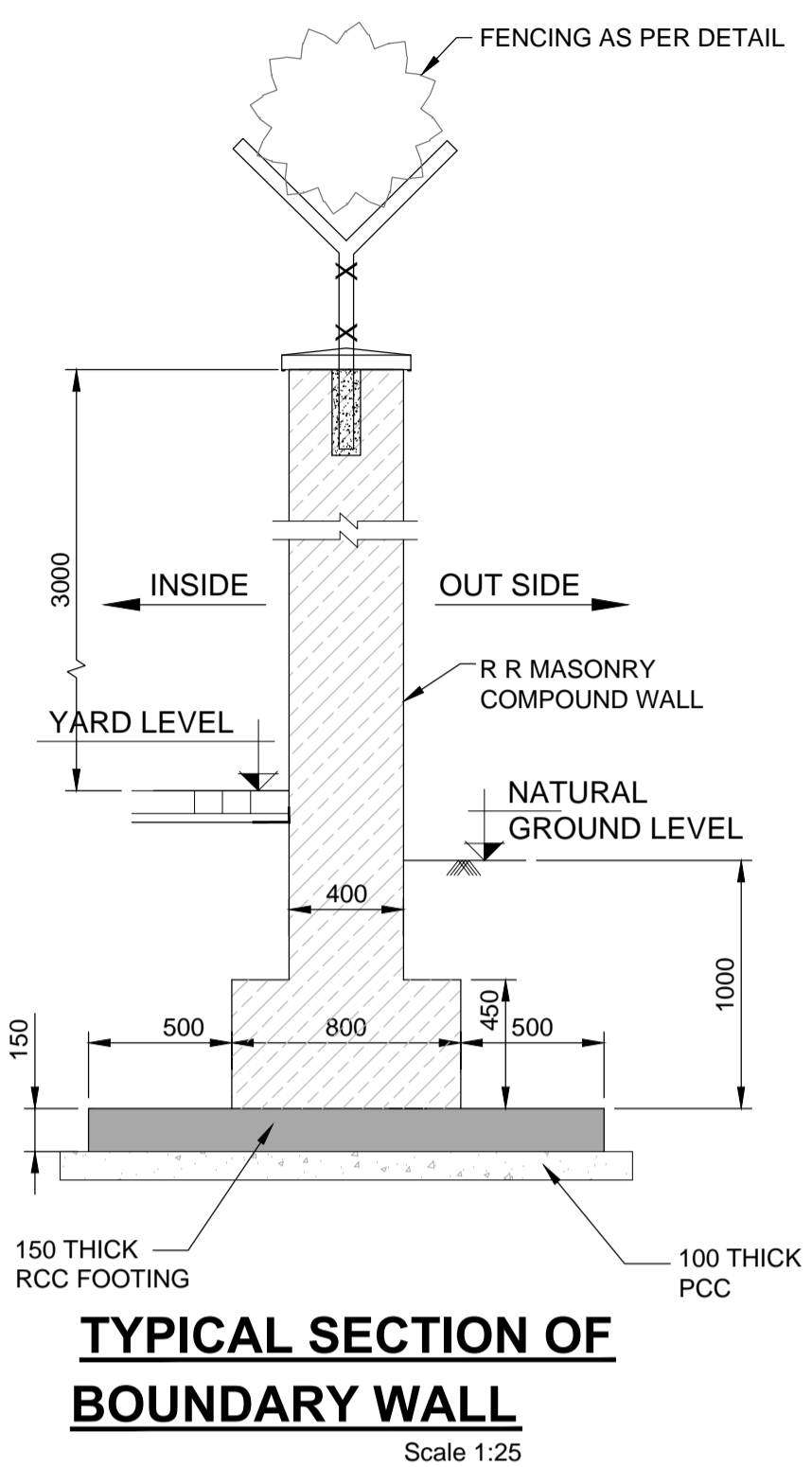
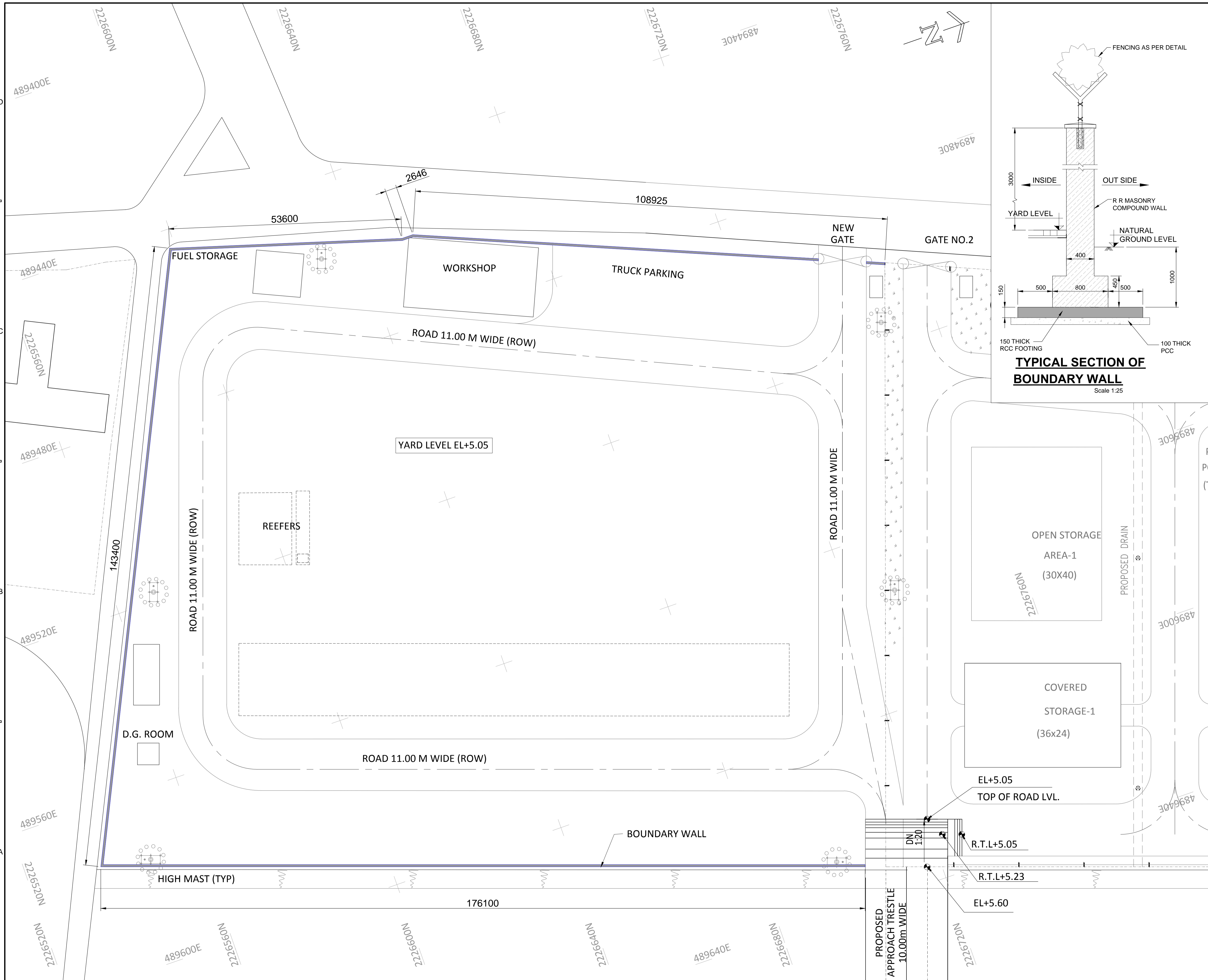
Sign:	Sign:	Sign:
Date:	Date:	Date:
Name:	Name:	Name:

Designed by	Checked by	Approved by
DRAWING NUMBER: 60544930 -DRG- T -0000 -CS-1017		REV. 0

AECOM
 AECOM India Pvt. Ltd.

COPYRIGHT © 2015 by AECOM
 All Rights Reserved
 The drawing should only be used by the client/contractor for the purpose mentioned here. No part of the drawing should be referred from other project without written consent from AECOM

SHEET 01 OF 01



NOTES:-
 1 ALL DIMENSIONS ARE IN MILLIMETRES UNLESS NOTED OTHERWISE.
 2 ALL LEVELS ARE IN METRES AND WITH RESPECT TO CHART DATUM.

FOR TENDER PURPOSE ONLY

REV.	DATE	DESCRIPTION	DR.	CH.	APR.
0	13.11.17	FOR TENDER	SV	YNR	SG

CLIENT/OWNER:
 MINISTRY OF EXTERNAL AFFAIRS / INLAND WATERWAY AUTHORITY OF INDIA

PROJECT:
 CONTAINER TERMINAL AT PORT OF SITTWE & IWT TERMINAL AT PALETWA IN MYANMAR, UNDER KALADAN MULTI-MODAL TRANSIT TRANSPORT PROJECT

PART/DISCIPLINE: STRUCTURE
 DIMENSIONS ARE IN: MILLIMETERS

PURPOSE: TENDER

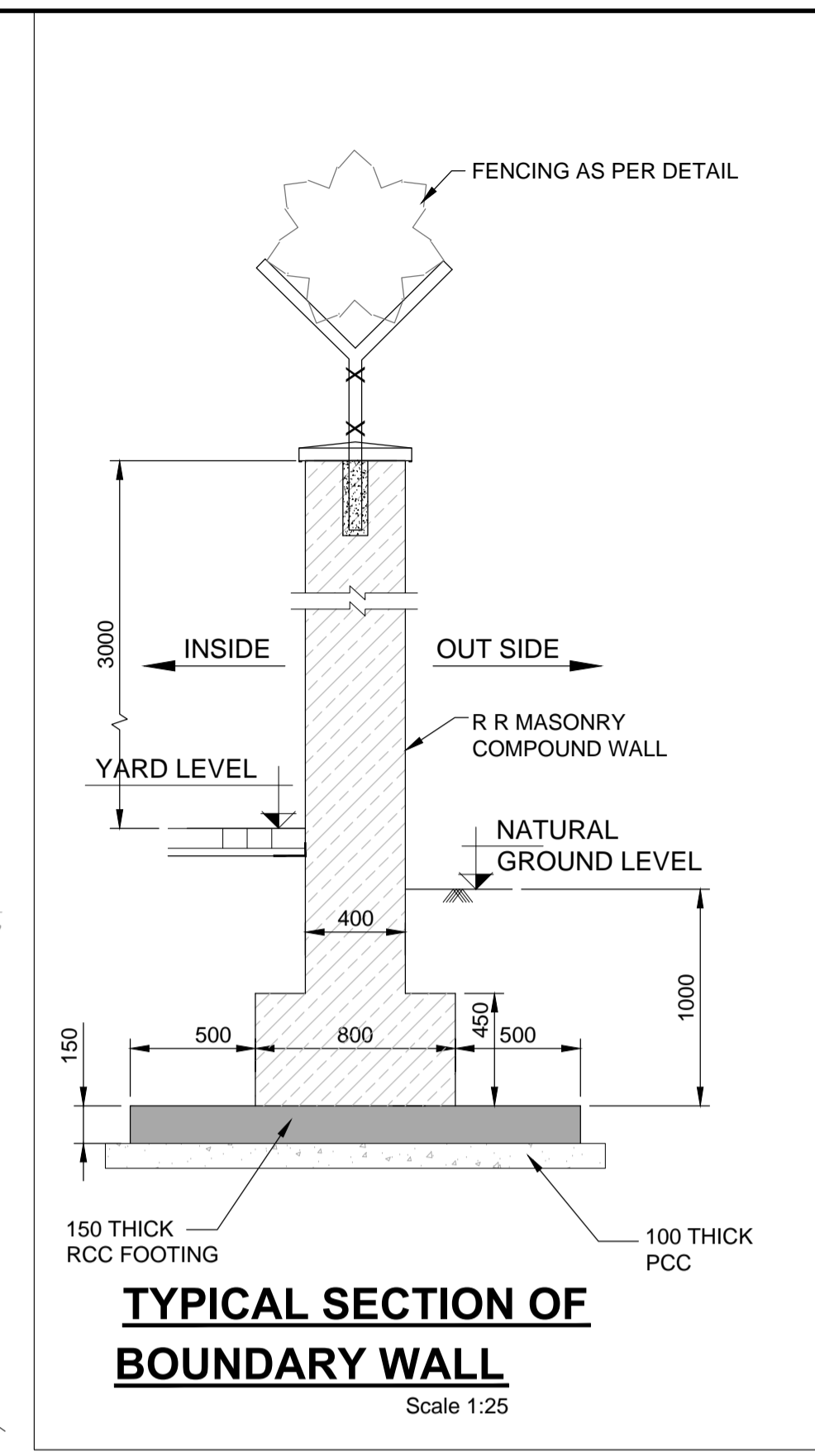
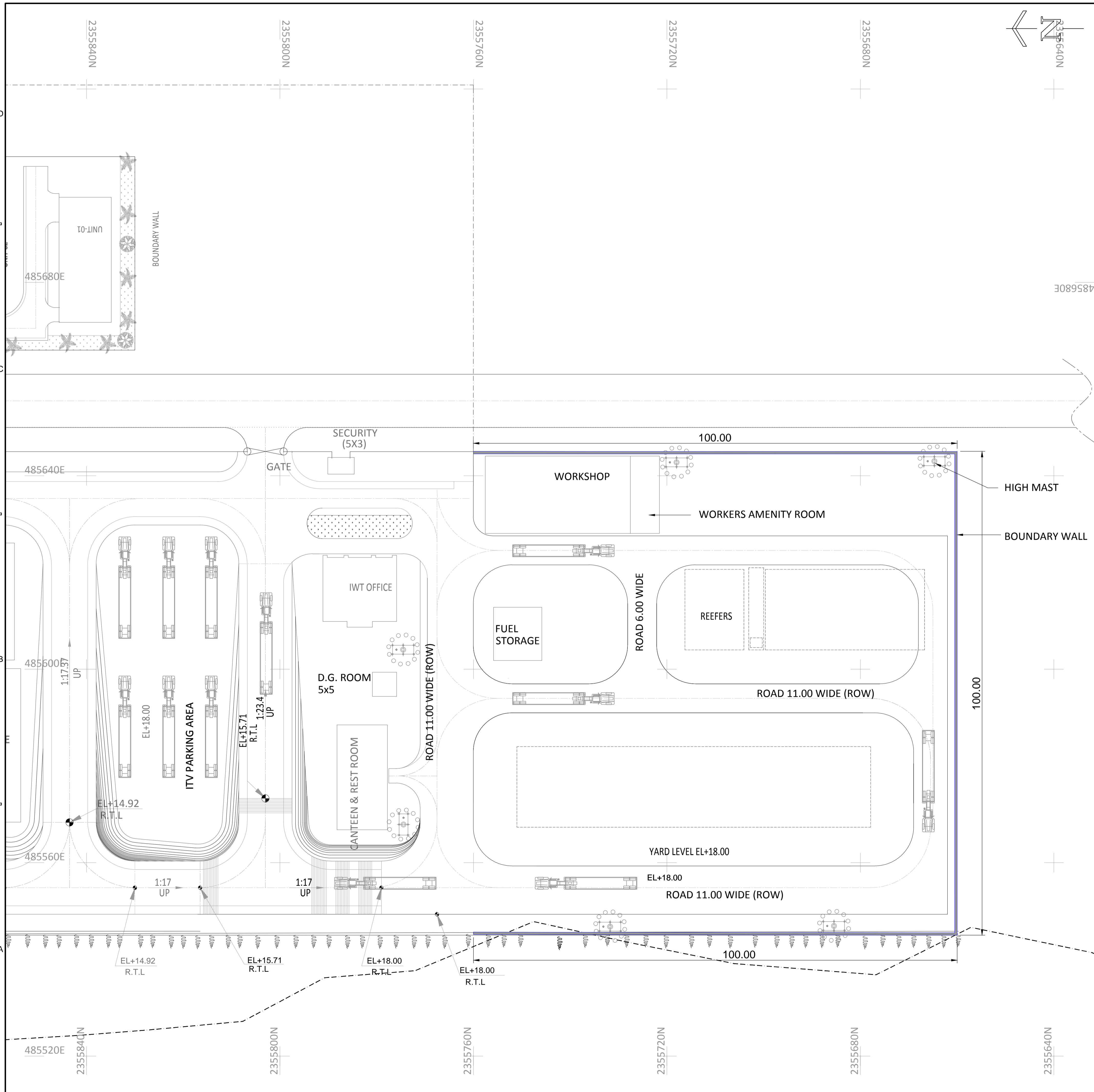
DRAWING TITLE:
 PLAN AND SECTION OF BOUNDARY WALL AT SITTWE

Sign:	Sign:	Sign:
Date:	Date:	Date:
Name:	Name:	Name:
Designed by:	Checked by:	Approved by:

DRAWING NUMBER: 60544930 - DRG - T - 0000 - CS - 1018
 REV: 0

AECOM
 AECOM India Pvt. Ltd.

ISO A1 594mm x 841mm
 Approved:
 Checked:
 Designer:
 Project Management Initials:
 Last saved by: VERMAS2(2017-11-10) Last Plotter: 2015-10-29
 Filename: D:\PROJECTS\KALADAN\TENDER\1-CS-1019.DWG



NOTES:-
 1 ALL DIMENSIONS ARE IN MILLIMETRES UNLESS NOTED OTHERWISE.
 2 ALL LEVELS ARE IN METRES AND WITH RESPECT TO CHART DATUM.

FOR TENDER PURPOSE ONLY

REV.	DATE	DESCRIPTION	SV	YNR	SG
0	13.11.17	FOR TENDER			

CLIENT/OWNER:
 MINISTRY OF EXTERNAL AFFAIRS / INLAND WATERWAY AUTHORITY OF INDIA

PROJECT:
 CONTAINER TERMINAL AT PORT OF SITTWE & IWT TERMINAL AT PALETWA IN MYANMAR, UNDER KALADAN MULTI-MODAL TRANSIT TRANSPORT PROJECT

PART/DISCIPLINE: STRUCTURE
 DIMENSIONS ARE IN: MILLIMETERS

PURPOSE: TENDER

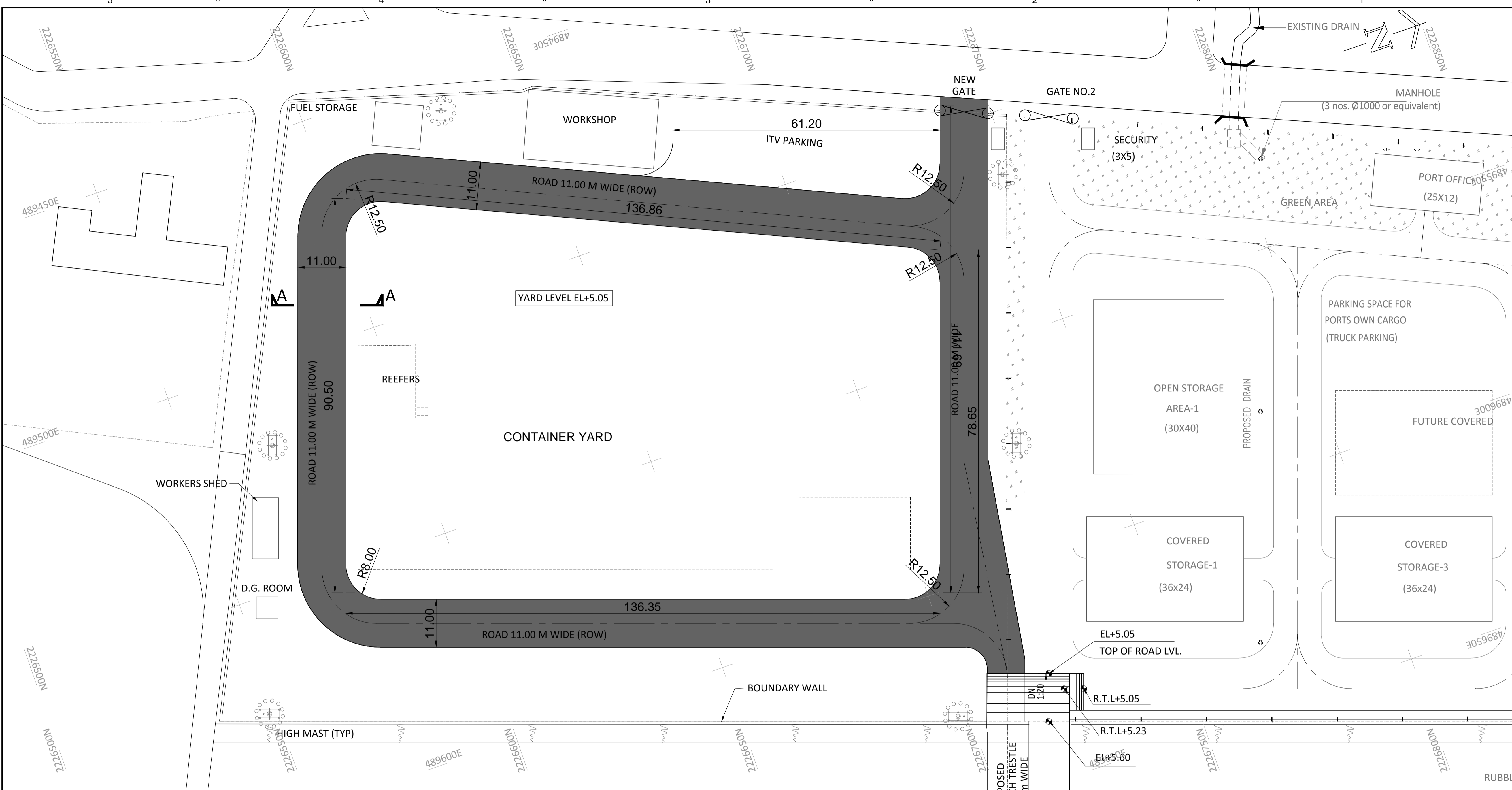
DRAWING TITLE:
 PLAN AND SECTION OF BOUNDARY WALL AT PALETWA

Sign:	Sign:	Sign:
Date:	Date:	Date:
Name:	Name:	Name:
Designed by:	Checked by:	Approved by:
DRAWING NUMBER:	REV.	
60544930 -DRG- T -0000 -CS-1019	0	

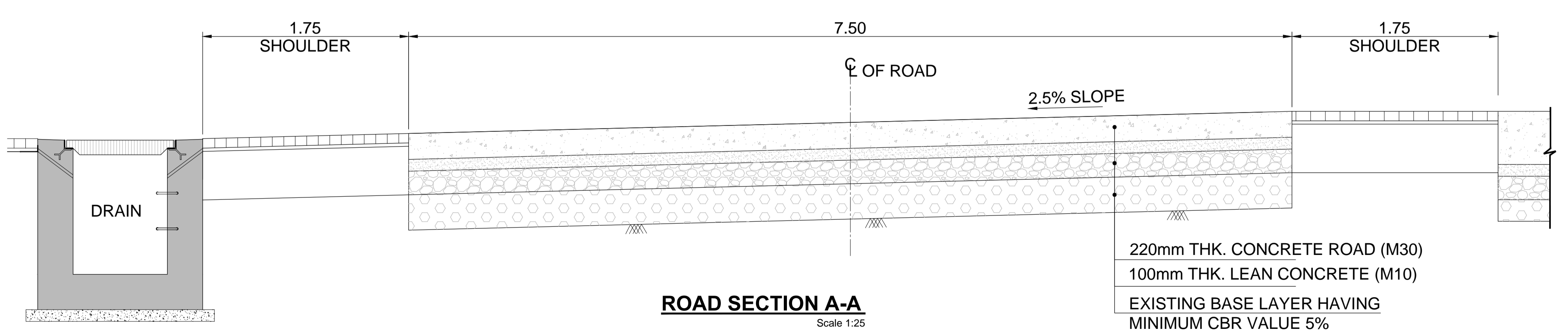
AECOM
 AECOM India Pvt. Ltd.

SHEET 01 OF 01

ISO A1 594mm x 841mm
 Approved:
 Checked:
 Designer:
 Project Management Initials:
 Last saved by: VERMAS2(2017-11-10) Last Plotted: 2015-10-29
 Filename: D:\PROJECTS\KALADAN\TENDER\1-CS-1020.DWG



- NOTES:-**
- ALL DIMENSIONS ARE IN METRES. UNLESS NOTED OTHERWISE.
 - ALL LEVELS ARE IN METRES AND WITH RESPECT TO CHART DATUM.



ROAD SECTION A-A
Scale 1:25

220mm THK. CONCRETE ROAD (M30)
 100mm THK. LEAN CONCRETE (M10)
 EXISTING BASE LAYER HAVING
 MINIMUM CBR VALUE 5%

FOR TENDER PURPOSE ONLY

REV.	DATE	DESCRIPTION	DR.	CH.	APR.
0	13.11.17	FOR TENDER	SV	YNR	SG

CLIENT/OWNER:
 MINISTRY OF EXTERNAL AFFAIRS / INLAND WATERWAY AUTHORITY OF INDIA

PROJECT:
 CONTAINER TERMINAL AT PORT OF SITTWE & IWT TERMINAL AT PALETWA IN MYANMAR, UNDER KALADAN MULTI-MODAL TRANSIT TRANSPORT PROJECT

PART/DISCIPLINE: STRUCTURE
 DIMENSIONS ARE IN: MILLIMETERS

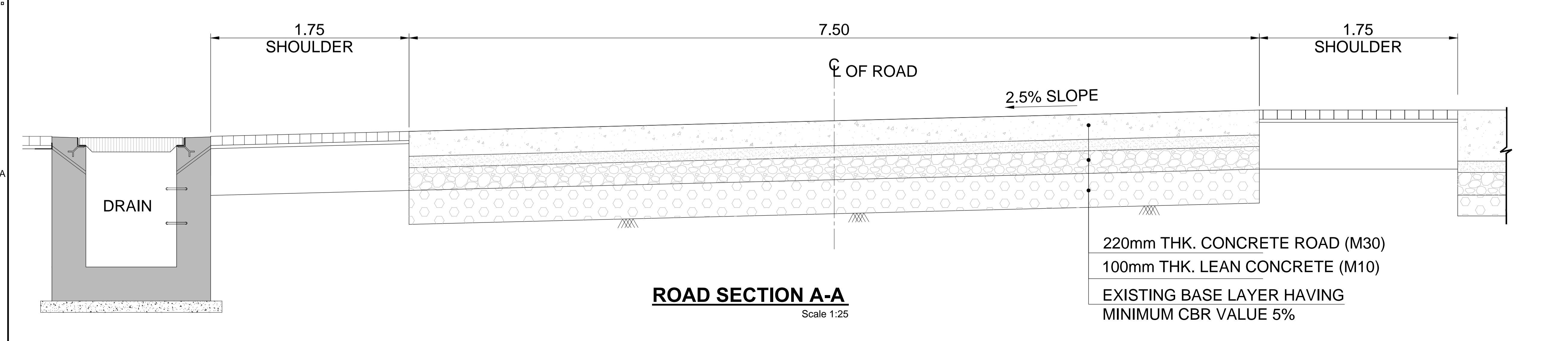
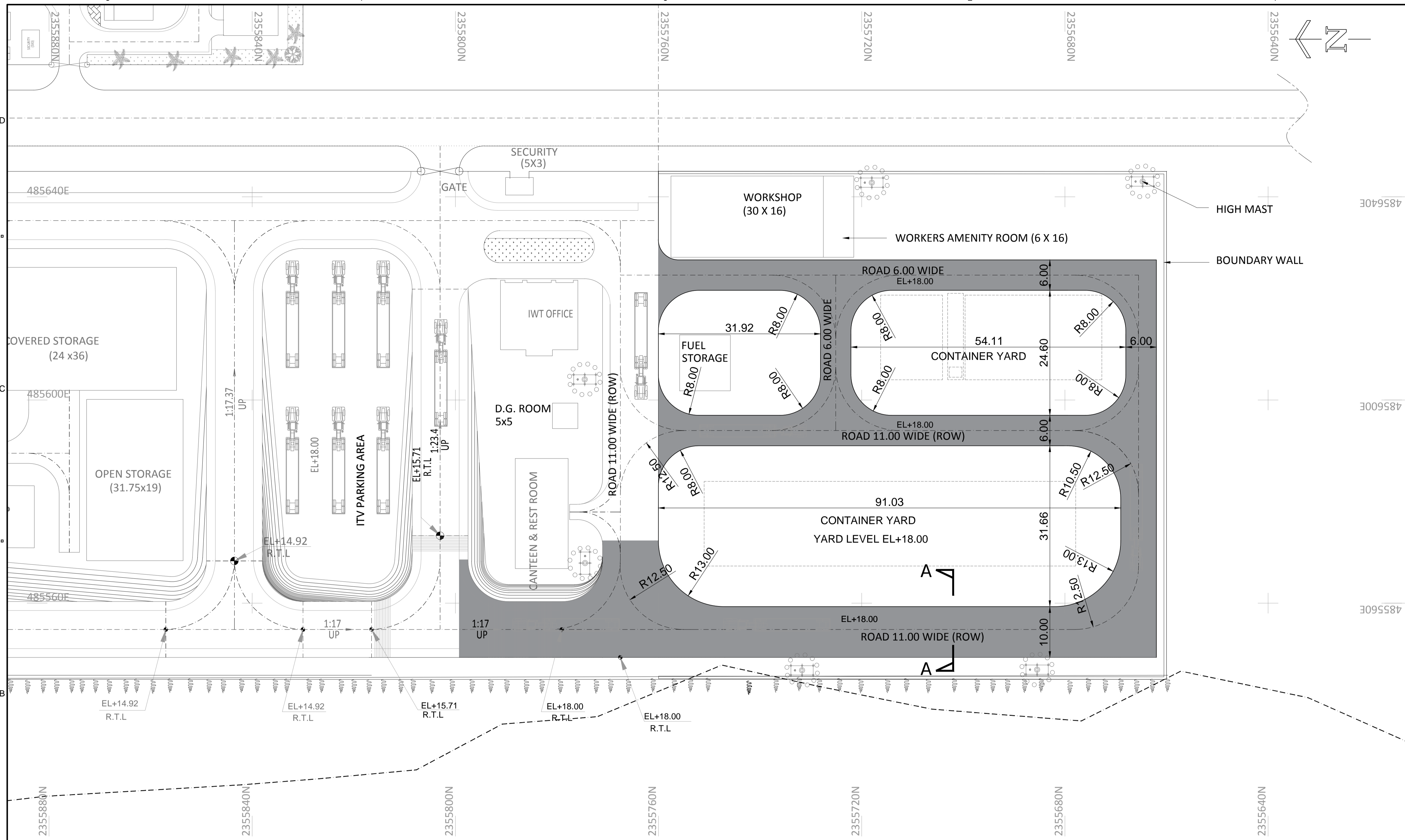
PURPOSE: TENDER
 DRAWING TITLE: PLAN AND SECTION OF INTERNAL ROADS AT SITTWE TERMINAL

Sign:	Sign:	Sign:
Date:	Date:	Date:
Name:	Name:	Name:
Designed by	Checked by	Approved by
DRAWING NUMBER:		REV.
60544930 - DRG - T -0000 -CS-1020		0

AECOM
 AECOM India Pvt. Ltd.

COPYRIGHT © 2015 by AECOM
 All Rights Reserved
 The drawing should only be used by the client/contractor for the purpose mentioned here. No part of this drawing should be reprinted from other project without written consent from AECOM.

SHEET 01 OF 01



- NOTES:-**
- ALL DIMENSIONS ARE IN METRES UNLESS NOTED OTHERWISE.
 - ALL LEVELS ARE IN METRES AND WITH RESPECT TO CHART DATUM.

FOR TENDER PURPOSE ONLY

0	13.11.17	FOR TENDER	SV	YNR	SG
REV.	DATE	DESCRIPTION	DR.	CH.	APR.
REVISION DETAILS					

CLIENT/OWNER:
MINISTRY OF EXTERNAL AFFAIRS / INLAND WATERWAY AUTHORITY OF INDIA

PROJECT:
CONTAINER TERMINAL AT PORT OF SITTWE & IWT TERMINAL AT PALETWA IN MYANMAR, UNDER KALADAN MULTI-MODAL TRANSIT TRANSPORT PROJECT

PART/DISCIPLINE: STRUCTURE
DIMENSIONS ARE IN: MILLIMETERS

PURPOSE: TENDER

DRAWING TITLE:
PLAN AND SECTION OF INTERNAL ROADS AT PALETWA

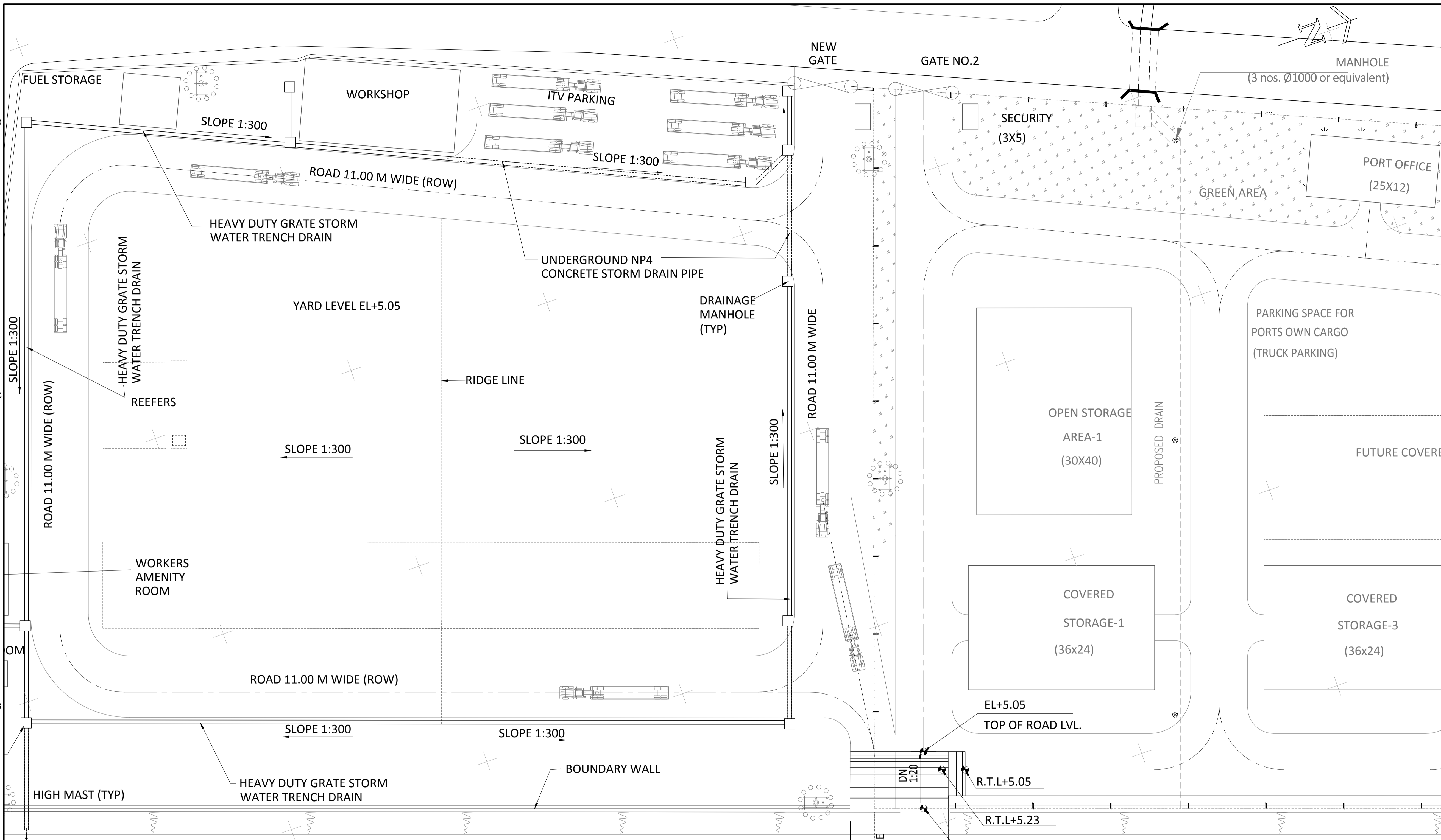
Sign:	Sign:	Sign:
Date:	Date:	Date:
Name:	Name:	Name:
Designed by	Checked by	Approved by
DRAWING NUMBER:		REV.
60544930 -DRG- T -0000 -CS-1021		0

AECOM
AECOM India Pvt. Ltd.

COPYRIGHT © 2015 by AECOM
All Rights Reserved
The drawing should only be used by the client/contractor for the purpose mentioned here. No part of the drawing should be referred from other project without written consent from AECOM

SHEET 01 OF 01

ISO A1 594mm x 841mm
 Approved:
 Checked:
 Designer:
 Project Management Initials:
 Last saved by: VERMASZ(2017-11-10) Last Plotted: 2015-10-29
 Filename: D:\PROJECTS\KALADAN\TENDER\CS-1022.DWG



NOTES:-
 1 ALL DIMENSIONS ARE IN METRES. UNLESS NOTED OTHERWISE.
 2 ALL LEVELS ARE IN METRES AND WITH RESPECT TO CHART DATUM.

FOR TENDER PURPOSE ONLY

REV.	DATE	DESCRIPTION	SV	YNR	SG
0	13.11.17	FOR TENDER			
REVISION DETAILS			DR.	CH.	APR.

CLIENT/OWNER:
 MINISTRY OF EXTERNAL AFFAIRS / INLAND WATERWAY AUTHORITY OF INDIA

PROJECT:
 CONTAINER TERMINAL AT PORT OF SITTWE & IWT TERMINAL AT PALETWA IN MYANMAR, UNDER KALADAN MULTI-MODAL TRANSIT TRANSPORT PROJECT

PART/DISCIPLINE: STRUCTURE DIMENSIONS ARE IN MILLIMETERS

PURPOSE: TENDER

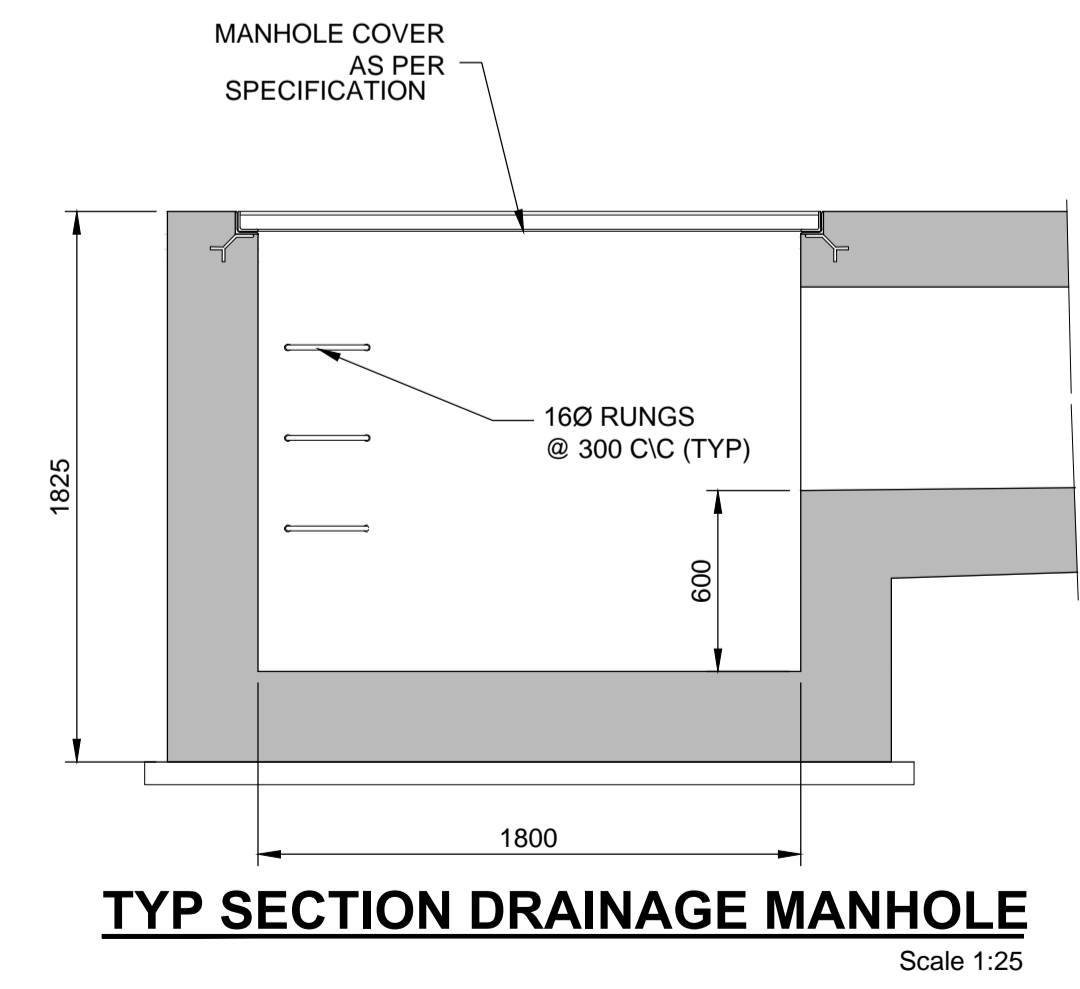
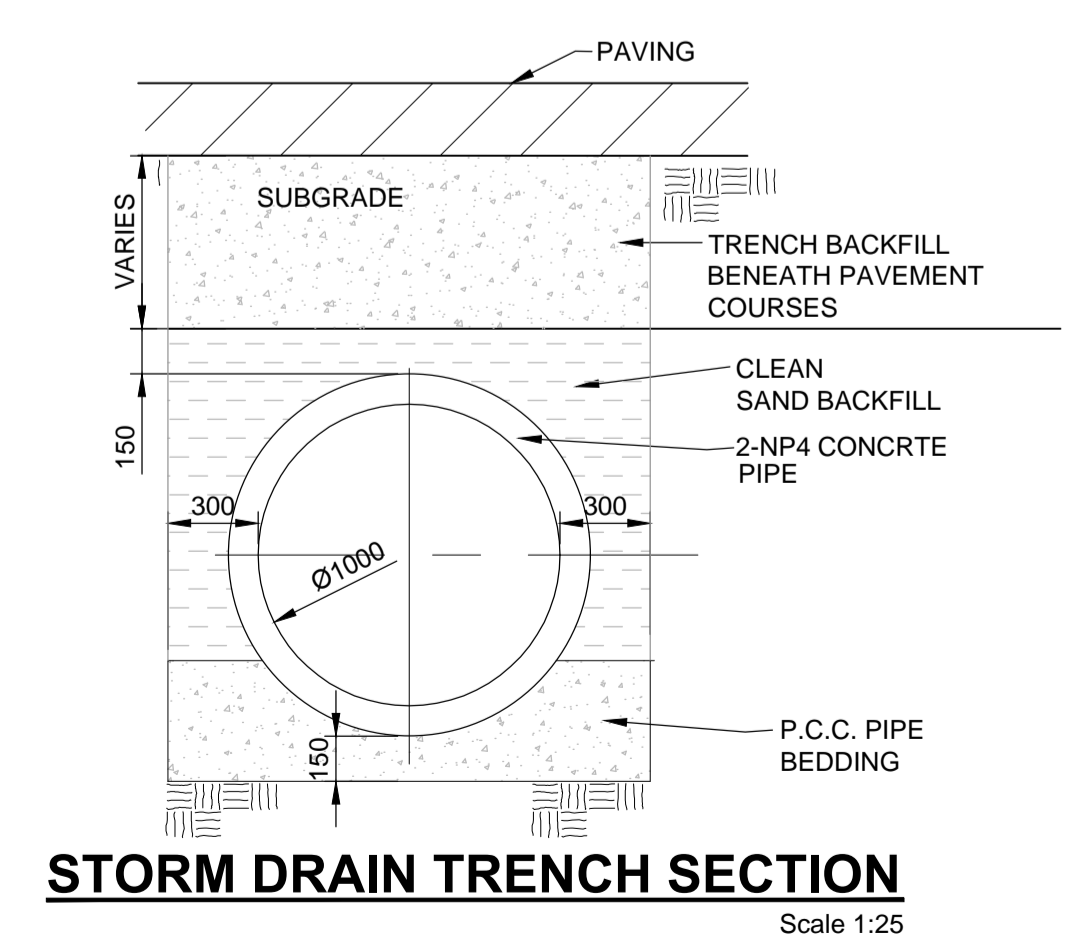
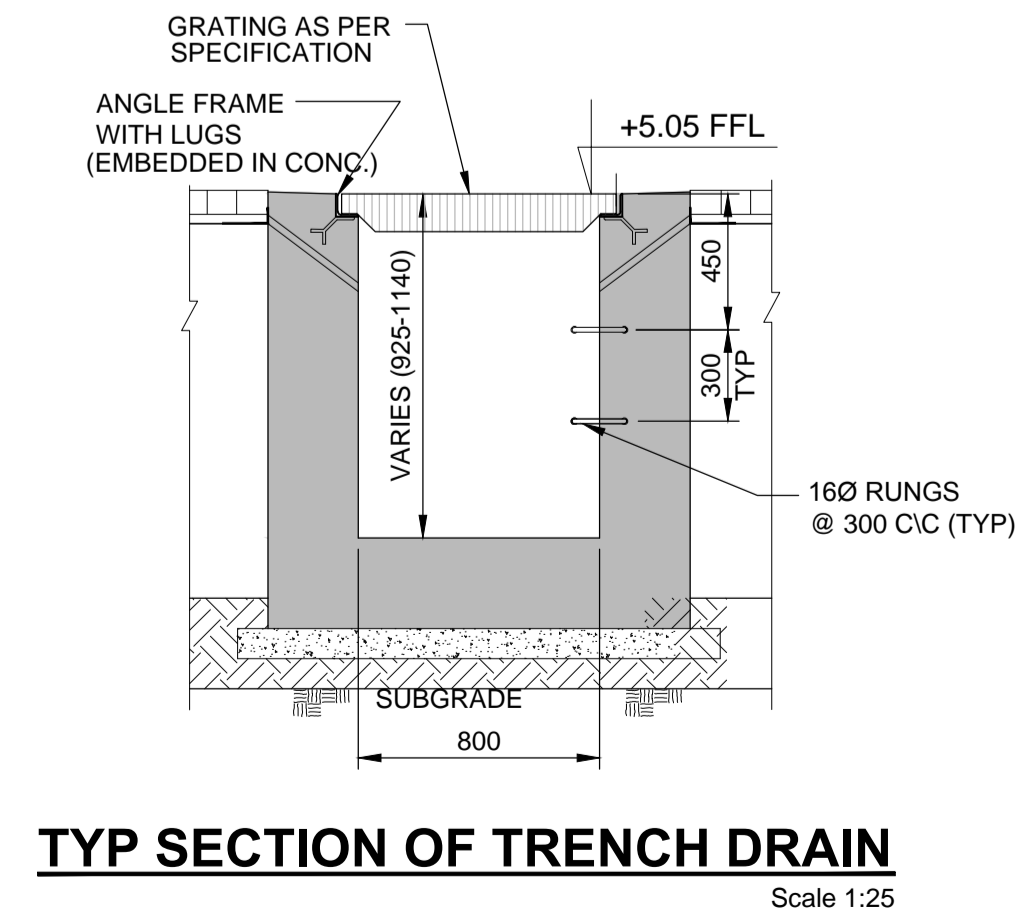
DRAWING TITLE:
 LAYOUT AND SECTION OF STORM WATER DRAINAGE AT SITTWE

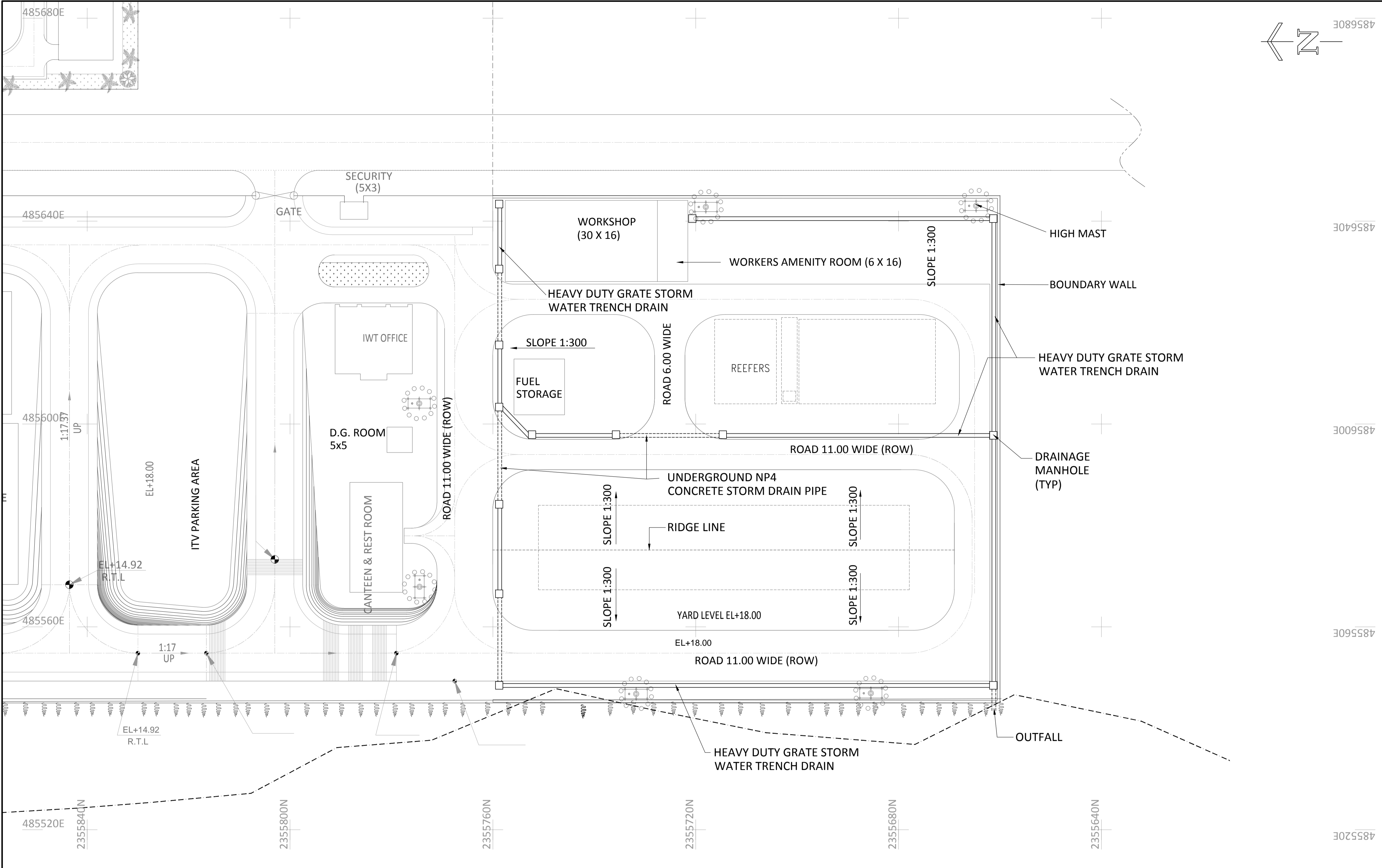
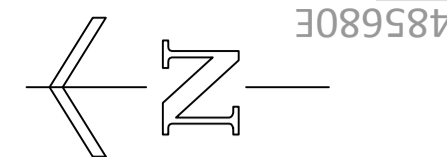
Sign:	Sign:	Sign:
Date:	Date:	Date:
Name:	Name:	Name:
Designed by	Checked by	Approved by

DRAWING NUMBER: 60544930 -DRG- T -0000-CS-1022 REV: 0

AECOM
 AECOM India Pvt. Ltd.

SHEET 01 OF 01





NOTES:-
1 ALL DIMENSIONS ARE IN METRES. UNLESS NOTED OTHERWISE.
2 ALL LEVELS ARE IN METRES AND WITH RESPECT TO CHART DATUM.

FOR TENDER PURPOSE ONLY

0	13.11.17	FOR TENDER	SV	YNR	SG
REV.	DATE	DESCRIPTION	DR.	CH.	APR.

CLIENT/OWNER:
MINISTRY OF EXTERNAL AFFAIRS / INLAND WATERWAY AUTHORITY OF INDIA

PROJECT:
CONTAINER TERMINAL AT PORT OF SITTWE & IWT TERMINAL AT PALETWA IN MYANMAR, UNDER KALADAN MULTI-MODAL TRANSIT TRANSPORT PROJECT

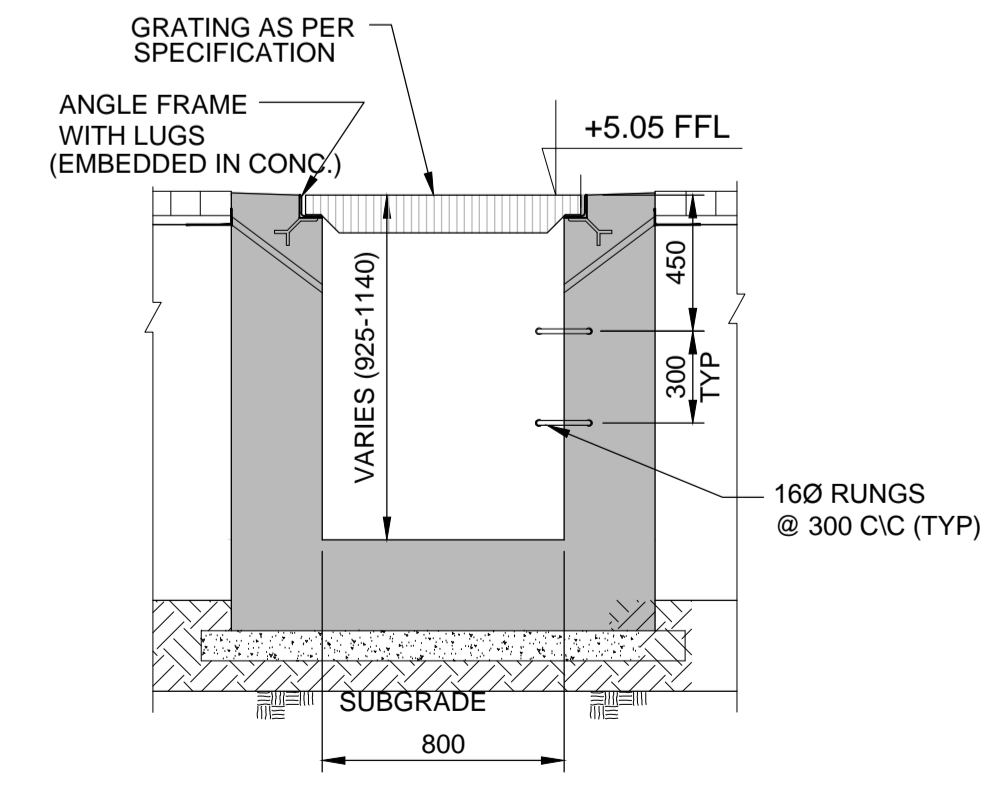
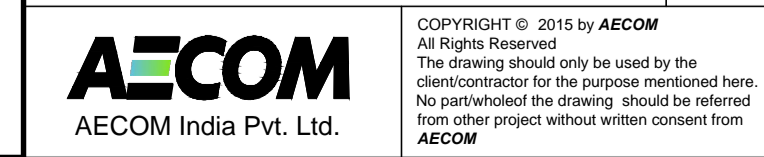
PART/DISCIPLINE: STRUCTURE
DIMENSIONS ARE IN: MILLIMETERS

PURPOSE: TENDER

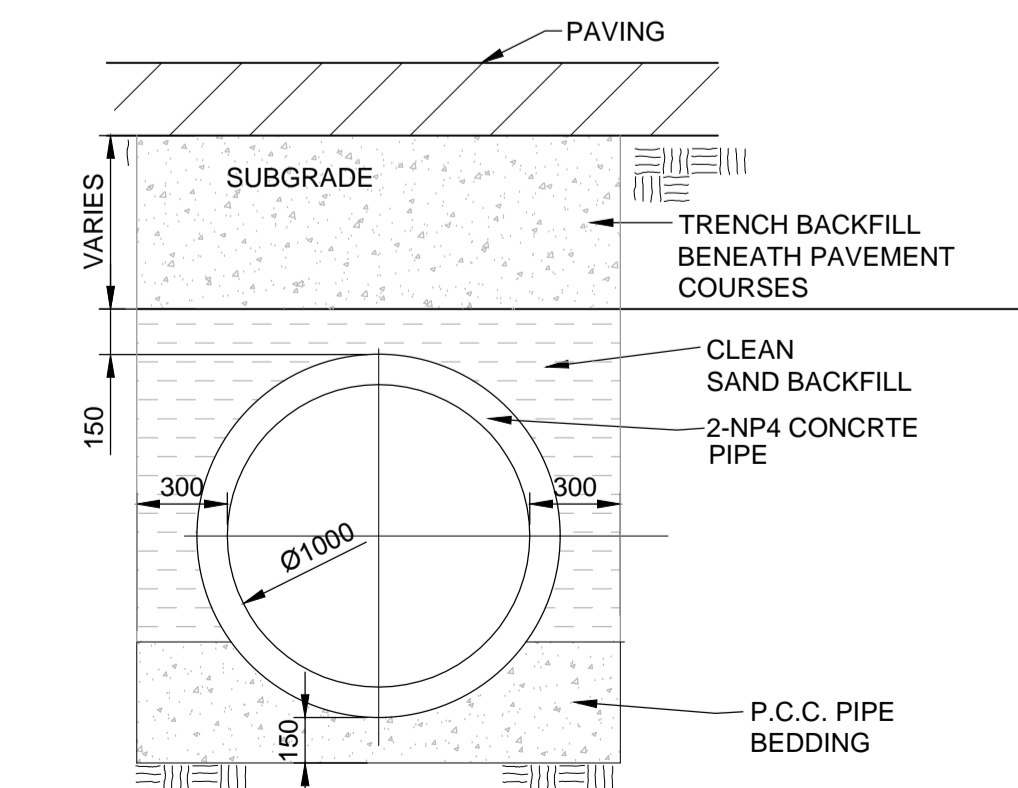
DRAWING TITLE:
LAYOUT AND SECTION OF STORM WATER DRAINAGE AT PALETWA

Sign:	Sign:	Sign:
Date:	Date:	Date:
Name:	Name:	Name:
Designed by	Checked by	Approved by

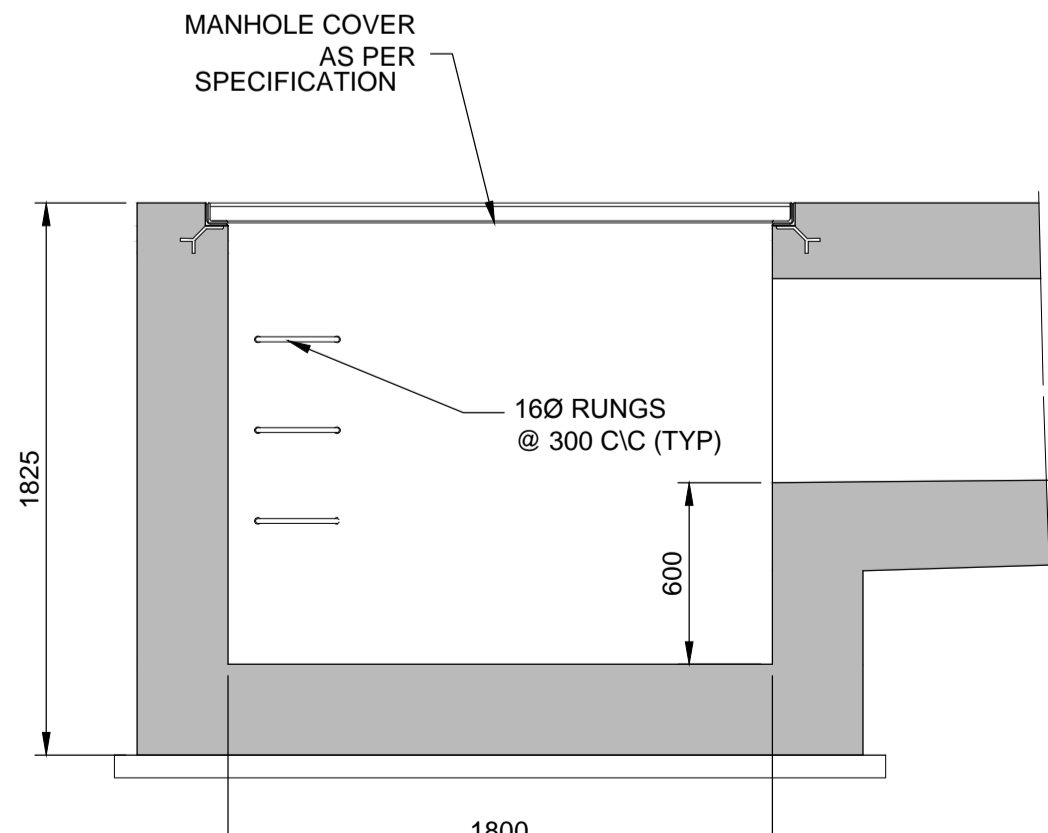
DRAWING NUMBER: 60544930 -DRG- T -0000 -CS-1023
REV: 0



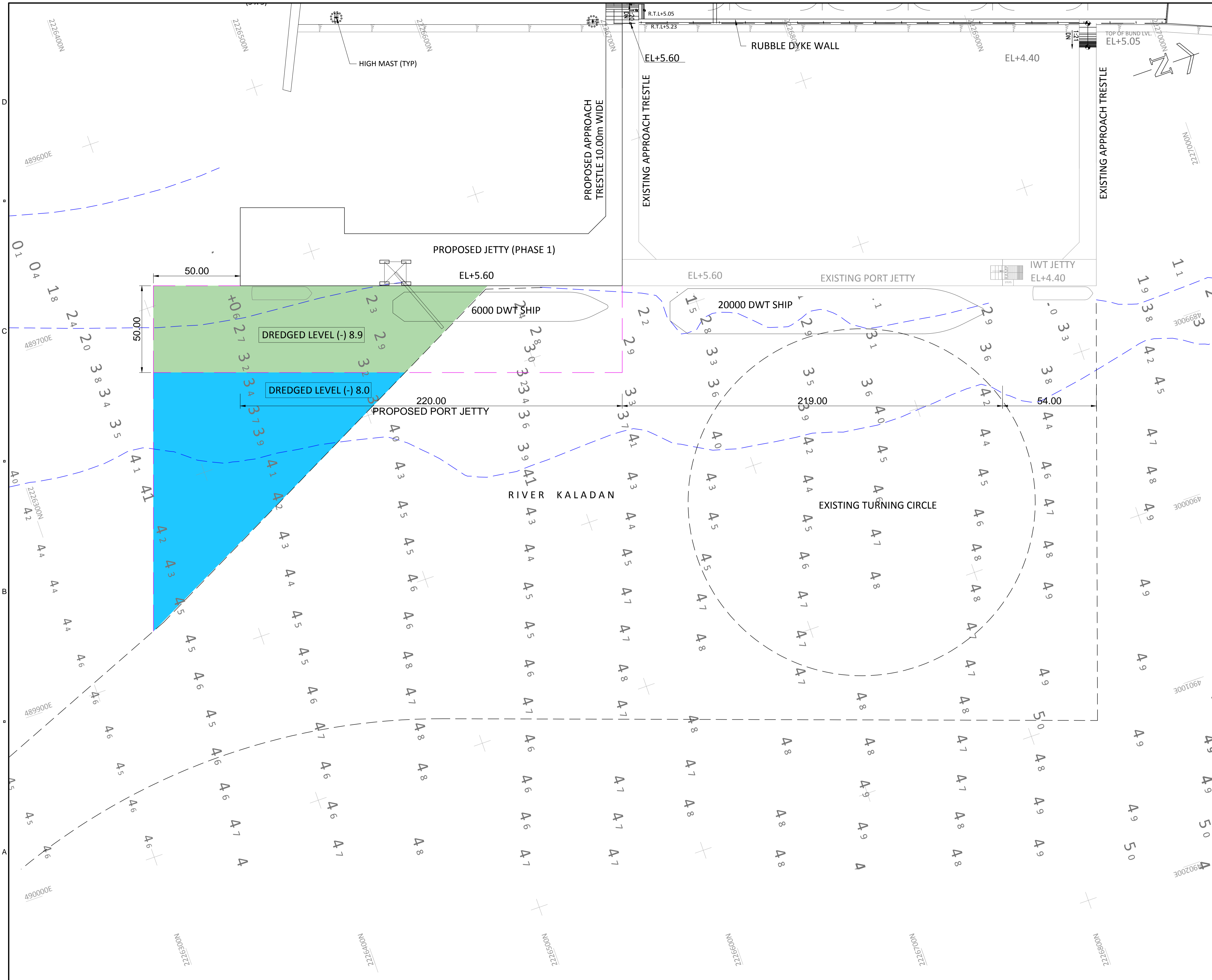
TYP SECTION OF TRENCH DRAIN
Scale 1:25



STORM DRAIN TRENCH SECTION
Scale 1:25



TYP SECTION DRAINAGE MANHOLE
Scale 1:25



NOTES:-
 1 ALL DIMENSIONS ARE IN METRES. UNLESS NOTED OTHERWISE.
 2 ALL LEVELS ARE IN METRES AND WITH RESPECT TO CHART DATUM.

FOR TENDER PURPOSE ONLY

REV.	DATE	DESCRIPTION	SV	YNR	SG
0	13.11.17	FOR TENDER			
			DR.	CH.	APR.

CLIENT/OWNER:
 MINISTRY OF EXTERNAL AFFAIRS / INLAND WATERWAY AUTHORITY OF INDIA

PROJECT:
 CONTAINER TERMINAL AT PORT OF SITTWE & IWT TERMINAL AT PALETWA IN MYANMAR, UNDER KALADAN MULTI-MODAL TRANSIT TRANSPORT PROJECT

PART/DISCIPLINE: STRUCTURE
 DIMENSIONS ARE IN: MILLIMETERS

PURPOSE: TENDER

DRAWING TITLE:
 PROPOSED DREDGING PLAN AT SITTWE

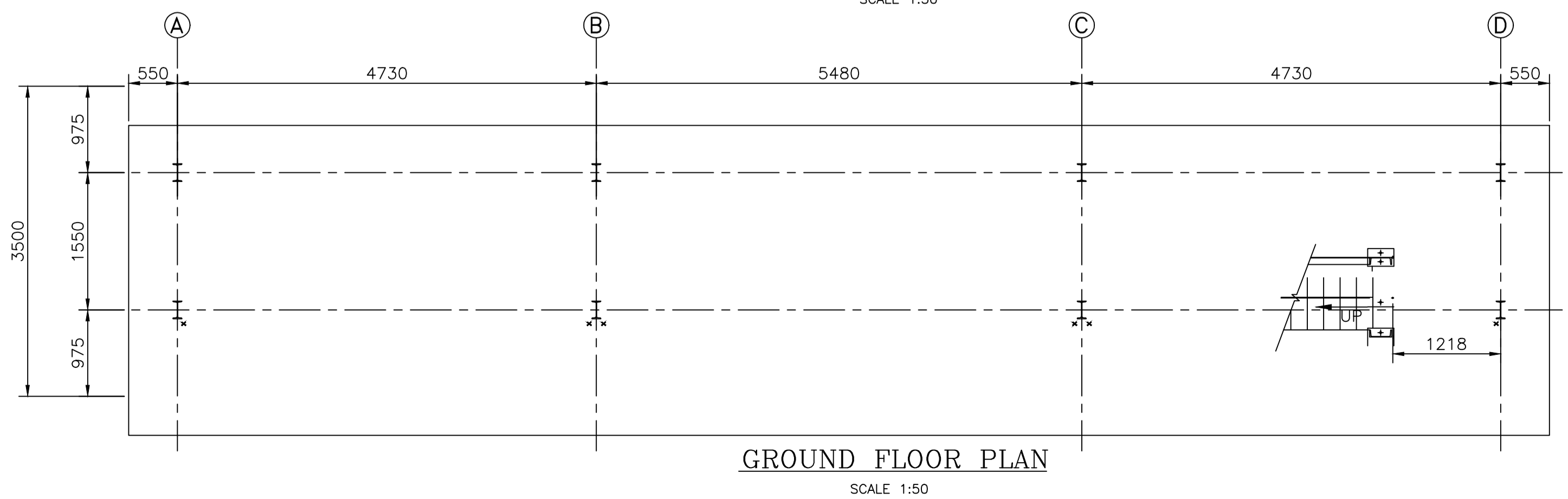
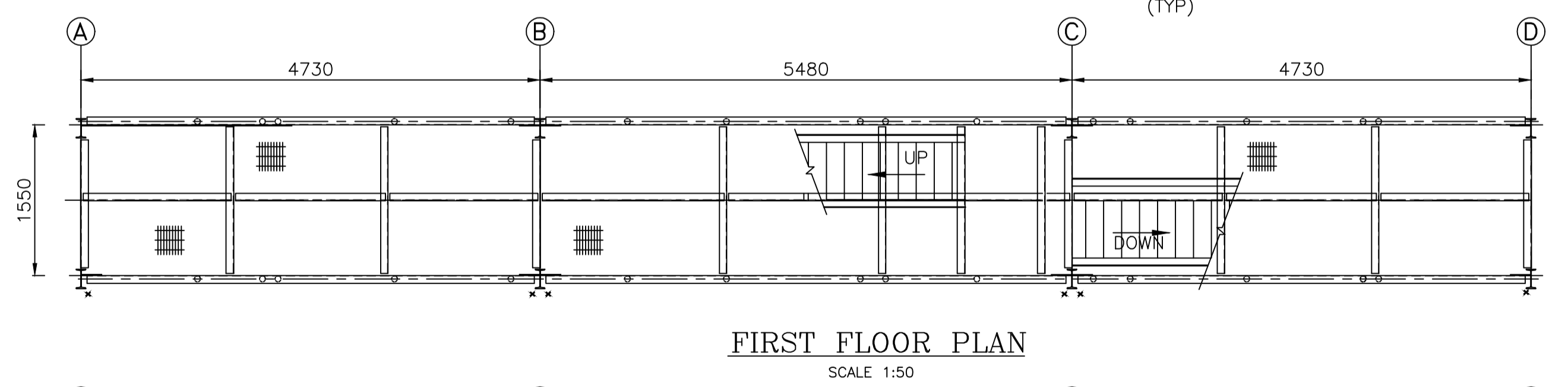
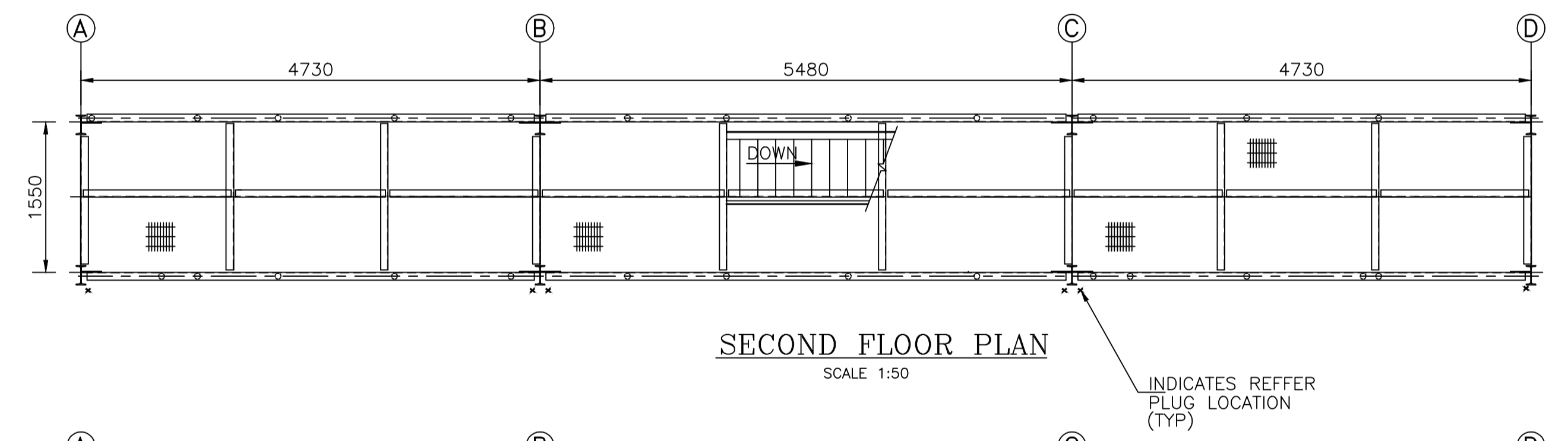
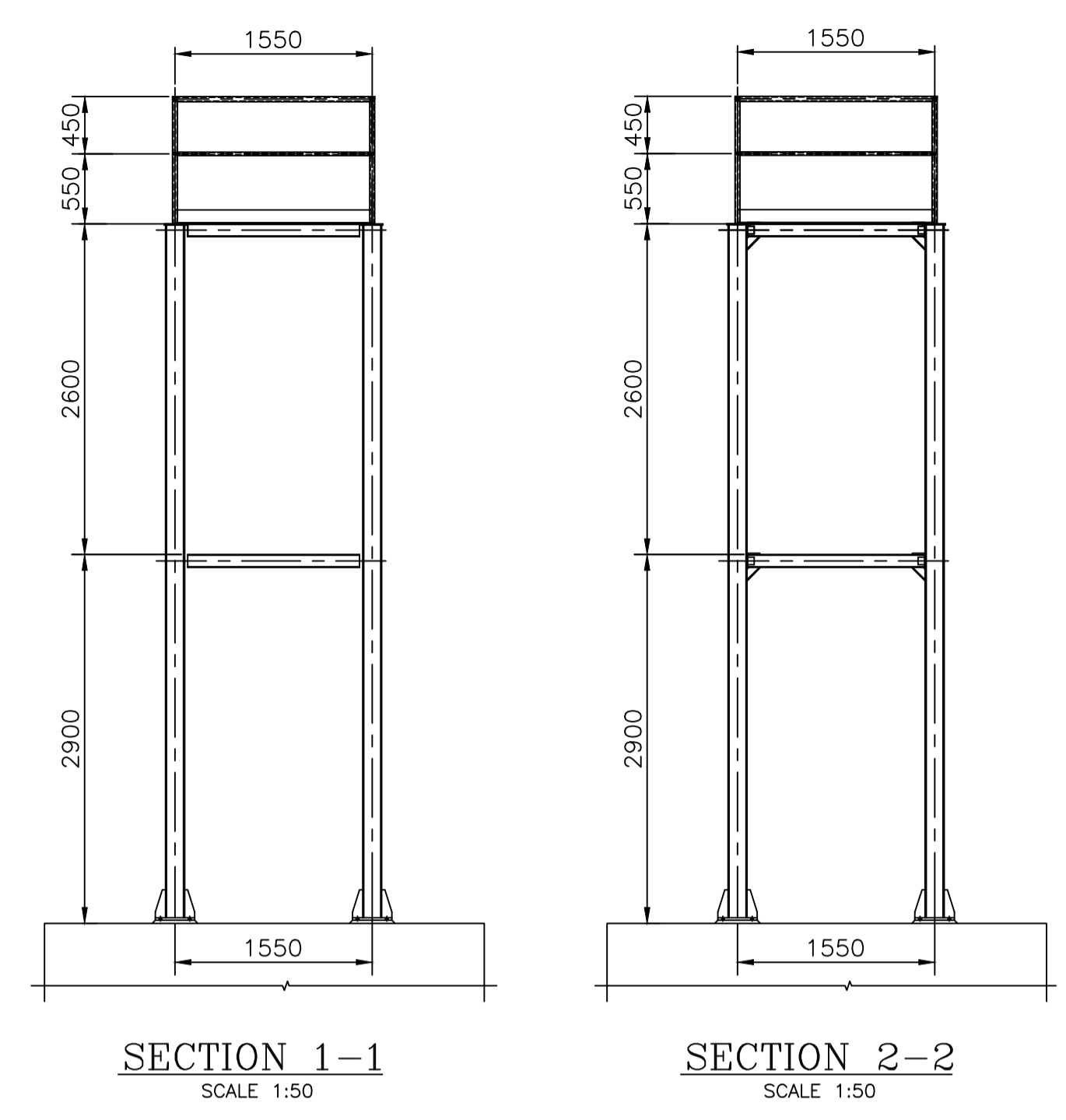
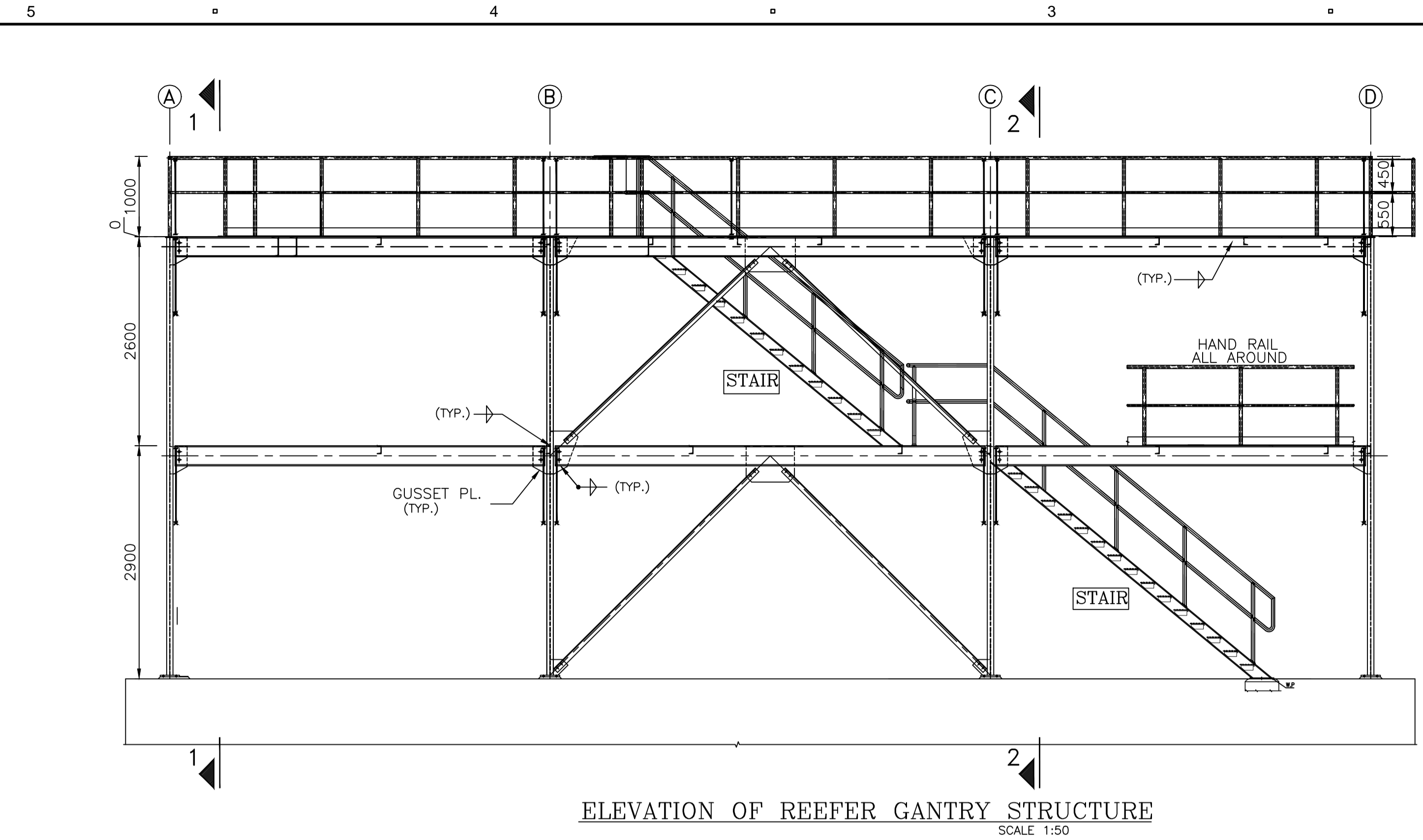
Sign:	Sign:	Sign:
Date:	Date:	Date:
Name:	Name:	Name:
Designed by	Checked by	Approved by
DRAWING NUMBER:		REV.
60544930 -DRG- T -0000 -CS-1024		0

AECOM
 AECOM India Pvt. Ltd.

COPYRIGHT © 2015 by AECOM
 All Rights Reserved
 The drawing should only be used by the client/contractor for the purpose mentioned here. No part of the drawing should be retransmitted from other project without written consent from AECOM.

SHEET 01 OF 01

ISO A1 594mm x 841mm
 Approved:
 Checked:
 Designer:
 Project Management Initials:
 Last saved by: VERMAS2(2017-11-15) Last Plotted: 2015-10-29
 Filename: D:\PROJECTS\KALADAN\TENDER\T-CS-1023.DWG



NOTES:-

- ALL DIMENSIONS ARE IN METRES. UNLESS NOTED OTHERWISE.
- ALL LEVELS ARE IN METRES AND WITH RESPECT TO CHART DATUM.

FOR TENDER PURPOSE ONLY

REV.	DATE	DESCRIPTION	SV	YNR	SG
0	13.11.17	FOR TENDER			

REVISION DETAILS

CLIENT/OWNER:
 MINISTRY OF EXTERNAL AFFAIRS / INLAND WATERWAY AUTHORITY OF INDIA

PROJECT:
 CONTAINER TERMINAL AT PORT OF SITTWE & IWT TERMINAL AT PALETWA IN MYANMAR, UNDER KALADAN MULTI-MODAL TRANSIT TRANSPORT PROJECT

PART/DISCIPLINE: **STRUCTURE** DIMENSIONS ARE IN: **MILLIMETERS**

PURPOSE: **TENDER**

DRAWING TITLE:
GENERAL ARRANGEMENT OF REEFER GANTRY

Sign: _____	Sign: _____	Sign: _____
Date: _____	Date: _____	Date: _____
Name: _____	Name: _____	Name: _____
Designed by	Checked by	Approved by
DRAWING NUMBER: 60544930 - DRG - T -0000 -CS-1025		REV: 0

AECOM India Pvt. Ltd.

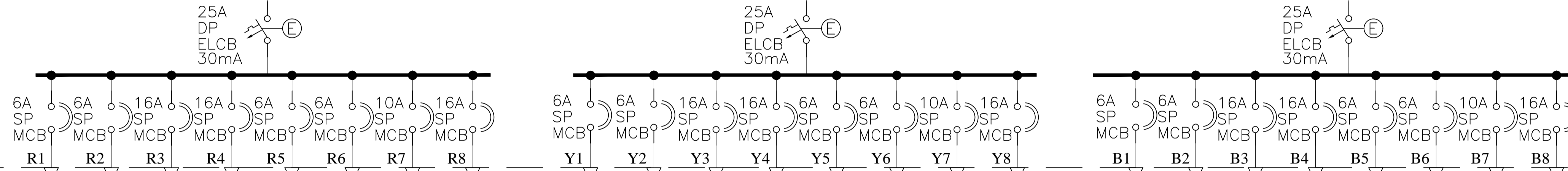
© COPYRIGHT © 2015 by AECOM
 All Rights Reserved
 The drawing should only be used by the client/contractor for the purpose mentioned here. No part of the drawing should be reprinted from other project without written consent from AECOM.

SHEET 01 OF 01

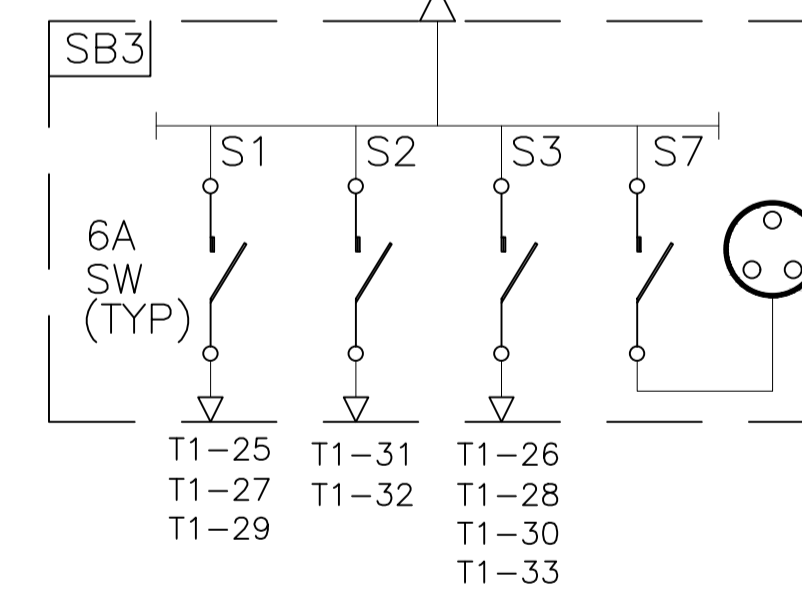
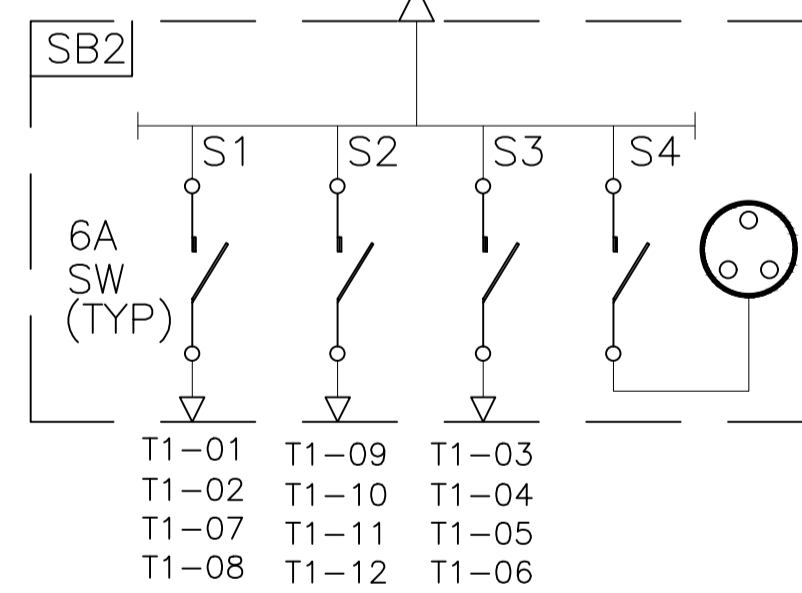
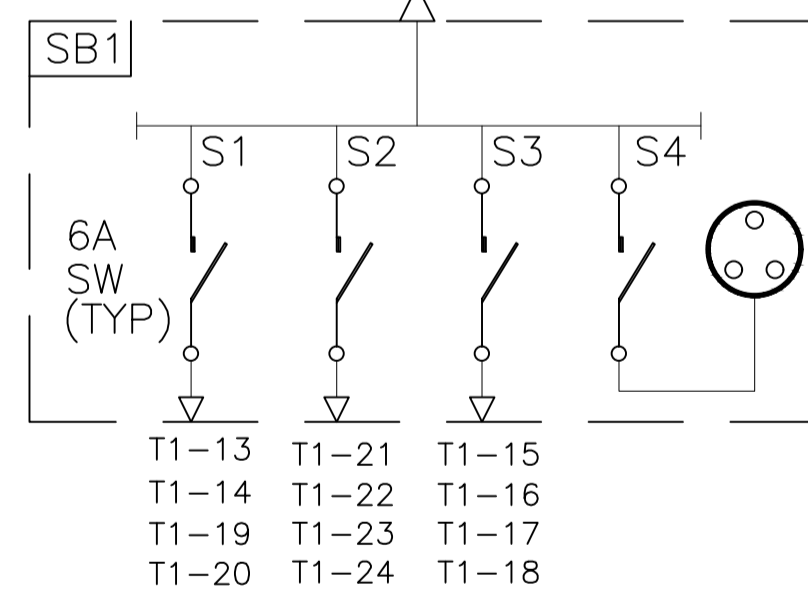
LIGHTING DISTRIBUTION BOARD (LDB)
 LOC : WORKER AMINITY ROOM

FROM LIGHTING PANEL

415V, 25A, TPN Cu. BUS BAR, 16kA/1 Sec.



LEGEND	WATTS	QTY	R1	R2	R3	R4	R5	R6	R7	R8	Y1	Y2	Y3	Y4	Y5	Y6	Y7	Y8	B1	B2	B3	B4	B5	B6	B7	B8												
T1	93.8	33	12	-	-	-	SAPRE	SAPRE	SAPRE		12	-	-	-	SAPRE	SAPRE	SAPRE	SAPRE	09	-	-	-	SAPRE	SAPRE	SAPRE	SAPRE												
T2	52	08	04	-	-	-					02	-	-	-					-	-	-	-					-	-	-	04	04	-	-	-	-	-	-	
T3	48	18	-	05	-	-					-	-	-	-					05	-	-	-					-	-	-	-	-	04	04	-	-	-	-	-
EF	80	07	-	-	02	02					-	-	-	-					-	-	01	-					-	-	-	-	-	02	-	-	-	-	-	
PS	500	12	-	-	02	02	-	-	-	-	-	-	02	02	-	-	-	-	-	-	02	02	-	-	-													
TOTAL LOAD (KW)	10.935																																					



TYPICAL FOR ALL LIGHTING DISTRIBUTION BOARD (LDB)

NOTES:-

1. NUMBER OF SWITCH BOARDS SHOWN IN THE SLD IS TENTATIVE. THE QUANTITY WILL VARY DEPENDS ON THE SIZE OF THE BUILDING.
2. LIGHTING LOAD SHOWN IN THE SLD IS TENTATIVE. IT IS THE RESPONSIBILITY OF CONTRACTOR TO DESIGN THE LIGHTING LOAD AS PER THE LUX LEVEL REQUIREMENT.

LEGEND:-

SYMBOL	DESCRIPTION
	DIESEL GENERATOR
	MOULDED CASE CIRCUIT BREAKER
	DRAWOUT TYPE ACB
	EARTH CONNECTION
	R, Y, B PHASE INDICATION LAMPS
	GREEN 'OFF' INDICATION LAMP
	RED 'ON' INDICATION LAMP
	AMBER 'FAULT' INDICATION LAMP
	WHITE 'SPRING CHARGED' INDICATION LAMP
	BLUE 'TRIP CIRCUIT' HEALTHY LAMP
	VOLTMETER SELECTION SWITCH
	AMMETER SELECTION SWITCH
	VOLTMETER
	AMMETER
	DIGITAL MULTIFUNCTIONAL METER
	CURRENT TRANSFORMER
	ELECTROMECHANICAL RELAYS
	POTENTIAL TRANSFORMER
	MINIATURE CIRCUIT BREAKER
	SYNCHROCHECK RELAY
	LOCKOUT RELAY
	UNDER VOLTAGE RELAY
	OVER VOLTAGE RELAY
	INSTANTANEOUS OVER CURRENT RELAY
	INSTANTANEOUS EARTH FAULT RELAY
	TIME DELAY OVER CURRENT RELAY
	TIME DELAY EARTH FAULT RELAY
	DIFFERENTIAL PROTECTIVE RELAY
	RESTRICTED EARTH FAULT RELAY

FOR TENDER PURPOSE ONLY

REV.	DATE	DESCRIPTION	DR.	CH.	APR.
0	13.11.17	FOR TENDER	SV	YNR	SG

CLIENT/OWNER:
 MINISTRY OF EXTERNAL AFFAIRS / INLAND WATERWAY AUTHORITY OF INDIA

PROJECT:
 CONTAINER TERMINAL AT PORT OF SITTWE & IWT TERMINAL AT PALETWA IN MYANMAR, UNDER KALADAN MULTI-MODAL TRANSIT TRANSPORT PROJECT

PART/DISCIPLINE: STRUCTURE DIMENSIONS ARE IN:

PURPOSE: TENDER

DRAWING TITLE:
 SITTWE TERMINAL D.G POWER DISTRIBUTION SINGLE LINE DIAGRAM (SLD) SHEET 3 OF 3

Sign:	Sign:	Sign:
Date:	Date:	Date:
Name:	Name:	Name:
Designed by	Checked by	Approved by

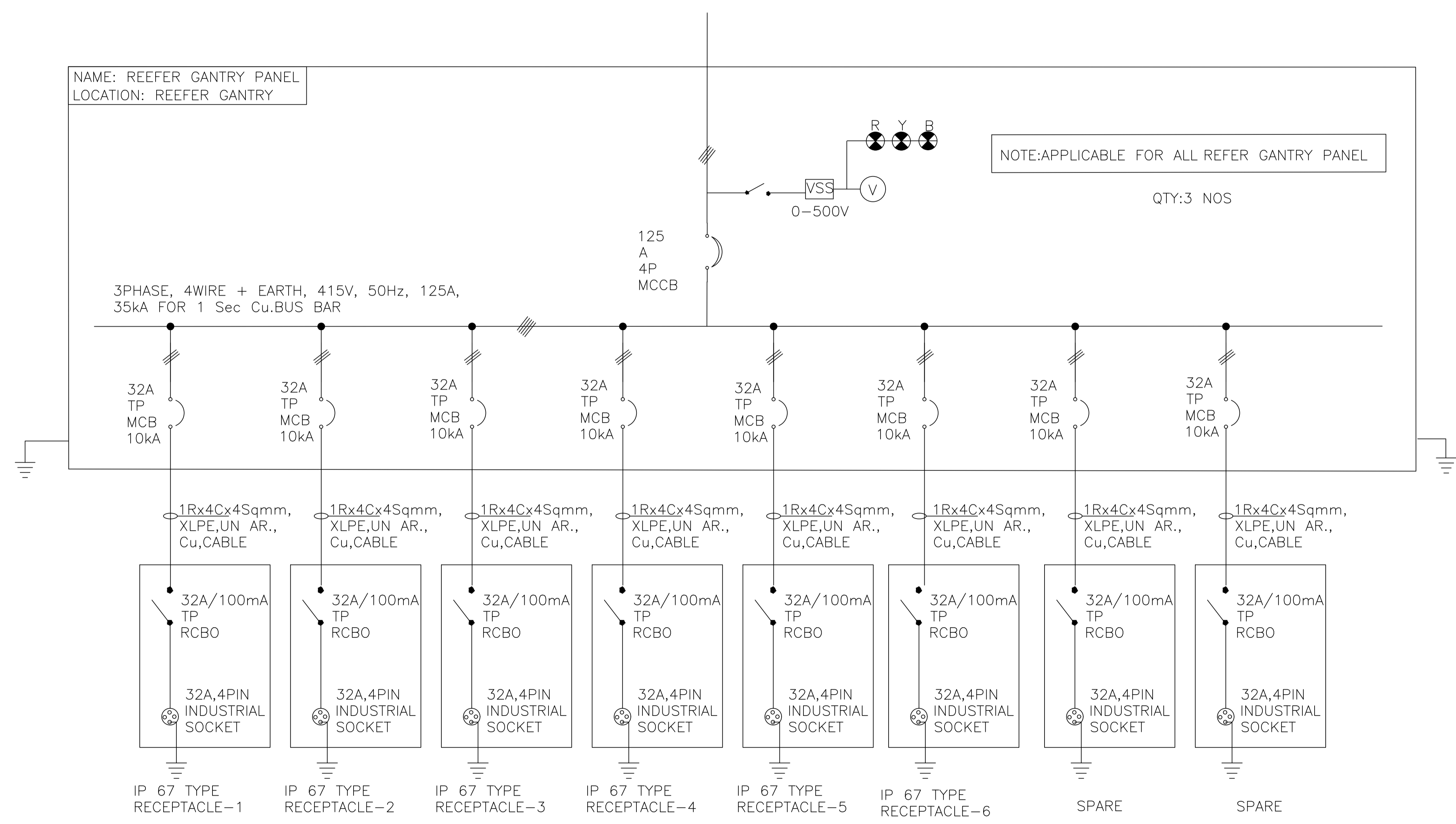
DRAWING NUMBER: 60544930 -DRG- T -0000 -CS-1028 REV: 0

AECOM
 AECOM India Pvt. Ltd.

COPYRIGHT © 2015 by AECOM
 All Rights Reserved
 The drawing should only be used by the client/contractor for the purpose mentioned here. No part of the drawing should be retransmitted from other project without written consent from AECOM.

ISO A1 594mm x 841mm
 Approved:
 Checked:
 Designer:
 Project Management Initials:
 Last saved by: VERMAS2(2017-11-15) Last Plotter: 2015-10-29
 Filename: D:\PROJECT\KALADAN\TENDER\1-CS-1027.DWG

3PHASE, 415V, 50HZ POWER SUPPLY REEFER LT PANEL



LEGEND:-

SYMBOL	DESCRIPTION
	DIESEL GENERATOR
	MOULDED CASE CIRCUIT BREAKER
	DRAWOUT TYPE ACB
	EARTH CONNECTION
	R, Y, B PHASE INDICATION LAMPS
	GREEN 'OFF' INDICATION LAMP
	RED 'ON' INDICATION LAMP
	AMBER 'FAULT' INDICATION LAMP
	WHITE 'SPRING CHARGED' INDICATION LAMP
	BLUE 'TRIP CIRCUIT' HEALTHY LAMP
	VOLTMETER SELECTION SWITCH
	AMMETER SELECTION SWITCH
	VOLTMETER
	AMMETER
	DIGITAL MULTIFUNCTIONAL METER
	CURRENT TRANSFORMER
	ELECTROMECHANICAL RELAYS
	POTENTIAL TRANSFORMER
	MINIATURE CIRCUIT BREAKER
	SYNCHROCHECK RELAY
	LOCKOUT RELAY
	UNDER VOLTAGE RELAY
	OVER VOLTAGE RELAY
	INSTANTANEOUS OVER CURRENT RELAY
	INSTANTANEOUS EARTH FAULT RELAY
	TIME DELAY OVER CURRENT RELAY
	TIME DELAY EARTH FAULT RELAY
	DIFFERENTIAL PROTECTIVE RELAY
	RESTRICTED EARTH FAULT RELAY

FOR TENDER PURPOSE ONLY

REV.	DATE	DESCRIPTION	SV	YNR	SG
0	13.11.17	FOR TENDER			

CLIENT/OWNER:
 MINISTRY OF EXTERNAL AFFAIRS / INLAND WATERWAY AUTHORITY OF INDIA

PROJECT:
 CONTAINER TERMINAL AT PORT OF SITTWE & IWT TERMINAL AT PALETWA IN MYANMAR, UNDER KALADAN MULTI-MODAL TRANSIT TRANSPORT PROJECT

PART/DISCIPLINE: STRUCTURE DIMENSIONS ARE IN:

PURPOSE: TENDER

DRAWING TITLE:
 SITTWE TERMINAL D.G POWER DISTRIBUTION SINGLE LINE DIAGRAM (SLD) SHEET 2 OF 3

Sign:	Sign:	Sign:
Date:	Date:	Date:
Name:	Name:	Name:
Designed by	Checked by	Approved by

DRAWING NUMBER: 60544930 -DRG- T -0000 -CS-1027 REV: 0

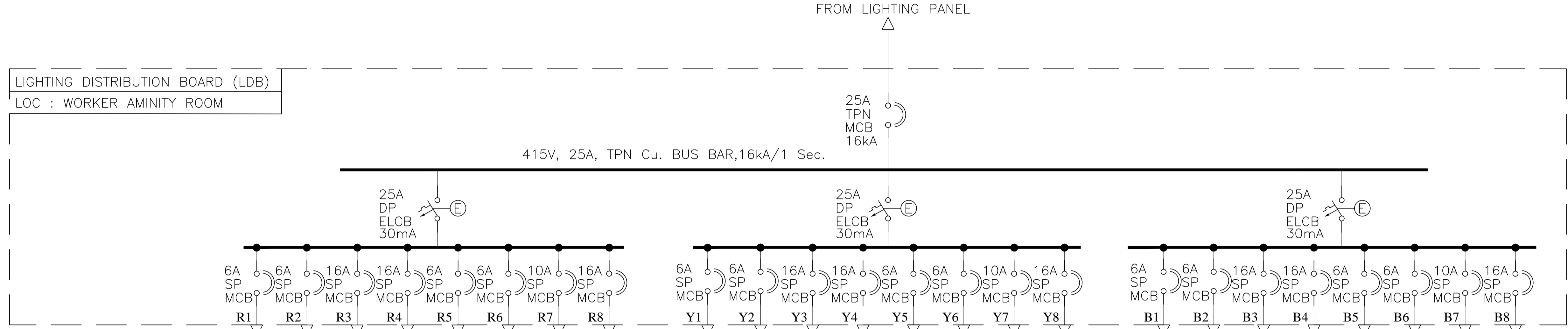
AECOM
 AECOM India Pvt. Ltd.
COPYRIGHT © 2015 by AECOM All Rights Reserved. The drawing should only be used by the client/contractor for the purpose mentioned here. No part of the drawing should be retransmitted from other project without written consent from AECOM.

SHEET 2 OF 3

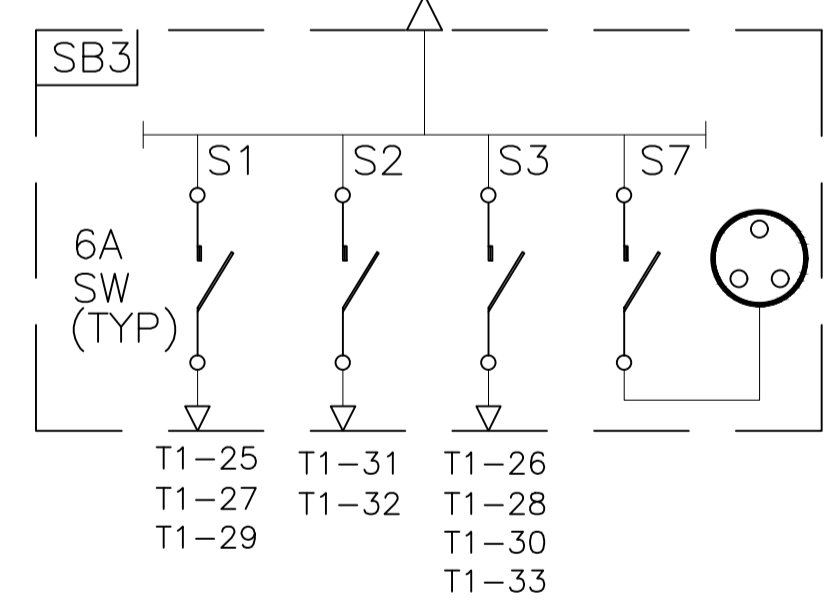
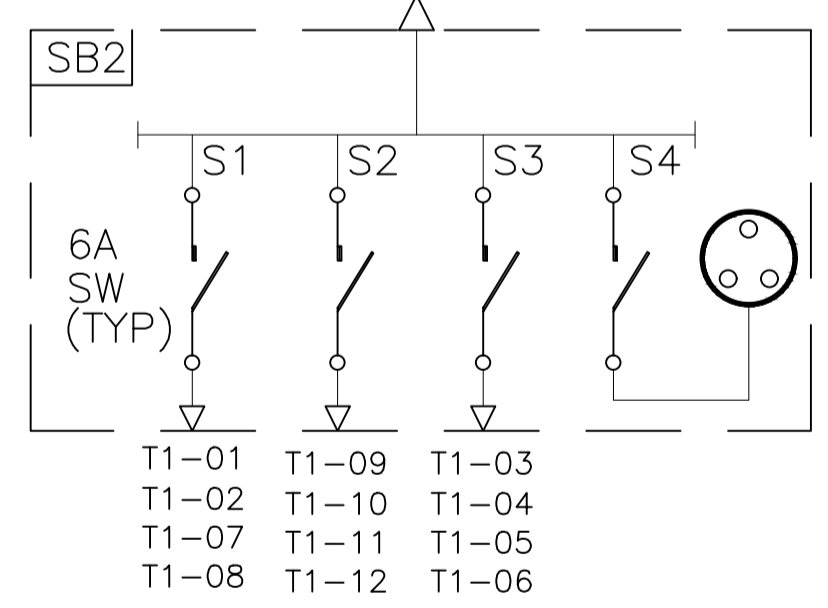
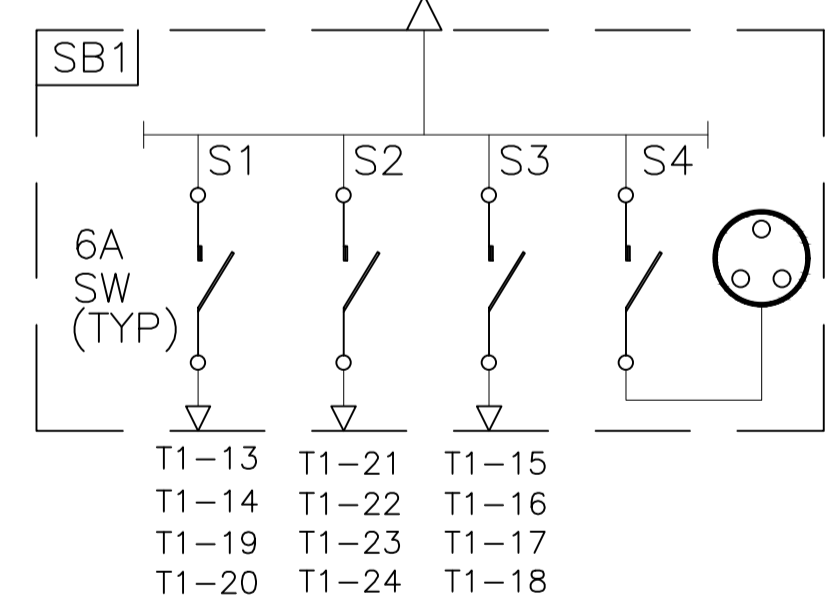
LIGHTING DISTRIBUTION BOARD (LDB)
 LOC : WORKER AMINITY ROOM

FROM LIGHTING PANEL

415V, 25A, TPN Cu. BUS BAR, 16kA/1 Sec.



LEGEND	WATTS	QTY	R1	R2	R3	R4	R5	R6	R7	R8	Y1	Y2	Y3	Y4	Y5	Y6	Y7	Y8	B1	B2	B3	B4	B5	B6	B7	B8												
T1	93.8	33	12	-	-	-	SAPRE	SAPRE	SAPRE		12	-	-	-	SAPRE	SAPRE	SAPRE	SAPRE	09	-	-	-	SAPRE	SAPRE	SAPRE	SAPRE												
T2	52	08	04	-	-	-					02	-	-	-					-	-	-	-					-	-	-	04	04	-	-	-	-	-	-	
T3	48	18	-	05	-	-					-	-	-	-					05	-	-	-					-	-	-	-	-	04	04	-	-	-	-	-
EF	80	07	-	-	02	02					-	-	-	-					-	-	01	-					-	-	-	-	-	-	02	-	-	-	-	-
PS	500	12	-	-	02	02	-	-	-	-	-	-	02	02	-	-	-	-	-	-	02	02	-	-	-	-												
TOTAL LOAD (KW)	10.935																																					



NOTES:-

1. NUMBER OF SWITCH BOARDS SHOWN IN THE SLD IS TENTATIVE. THE QUANTITY WILL VARY DEPENDS ON THE SIZE OF THE BUILDING.
2. LIGHTING LOAD SHOWN IN THE SLD IS TENTATIVE. IT IS THE RESPONSIBILITY OF CONTRACTOR TO DESIGN THE LIGHTING LOAD AS PER THE LUX LEVEL REQUIREMENT.

TYPICAL FOR ALL LIGHTING DISTRIBUTION BOARD (LDB)

LEGEND:-

SYMBOL	DESCRIPTION
(DG)	DIESEL GENERATOR
(MCB)	MOULDED CASE CIRCUIT BREAKER
(DTCB)	DRAWOUT TYPE ACB
(E)	EARTH CONNECTION
(R,Y,B)	R,Y,B PHASE INDICATION LAMPS
(G)	GREEN 'OFF' INDICATION LAMP
(R)	RED 'ON' INDICATION LAMP
(A)	AMBER 'FAULT INDICATION LAMP
(W)	WHITE 'SPRING CHARGED' INDICATION LAMP
(B)	BLUE 'TRIP CIRCUIT' HEALTHY LAMP
(V)	VOLTMETER SELECTION SWITCH
(A)	AMMETER SELECTION SWITCH
(V)	VOLTMETER
(A)	AMMETER
(MFM)	DIGITAL MULTIFUNCTIONAL METER
(CT)	CURRENT TRANSFORMER
(EMR)	ELECTROMECHANICAL RELAYS
(PT)	POTENTIAL TRANSFORMER
(MCB)	MINIATURE CIRCUIT BREAKER
(SC)	SYNCHROCHECK RELAY
(LR)	LOCKOUT RELAY
(UR)	UNDER VOLTAGE RELAY
(OR)	OVER VOLTAGE RELAY
(IOCR)	INSTANTANEOUS OVER CURRENT RELAY
(IOER)	INSTANTANEOUS EARTH FAULT RELAY
(TDOR)	TIME DELAY OVER CURRENT RELAY
(TDER)	TIME DELAY EARTH FAULT RELAY
(DPR)	DIFFERENTIAL PROTECTIVE RELAY
(REFR)	RESTRICTED EARTH FAULT RELAY

FOR TENDER PURPOSE ONLY

REV.	DATE	DESCRIPTION	DR.	CH.	APR.
0	13.11.17	FOR TENDER	SV	YNR	SG

CLIENT/OWNER:
 MINISTRY OF EXTERNAL AFFAIRS / INLAND WATERWAY AUTHORITY OF INDIA

PROJECT:
 CONTAINER TERMINAL AT PORT OF SITTWE & IWT TERMINAL AT PALETWA IN MYANMAR, UNDER KALADAN MULTI-MODAL TRANSIT TRANSPORT PROJECT

PART/DISCIPLINE: STRUCTURE DIMENSIONS ARE IN:

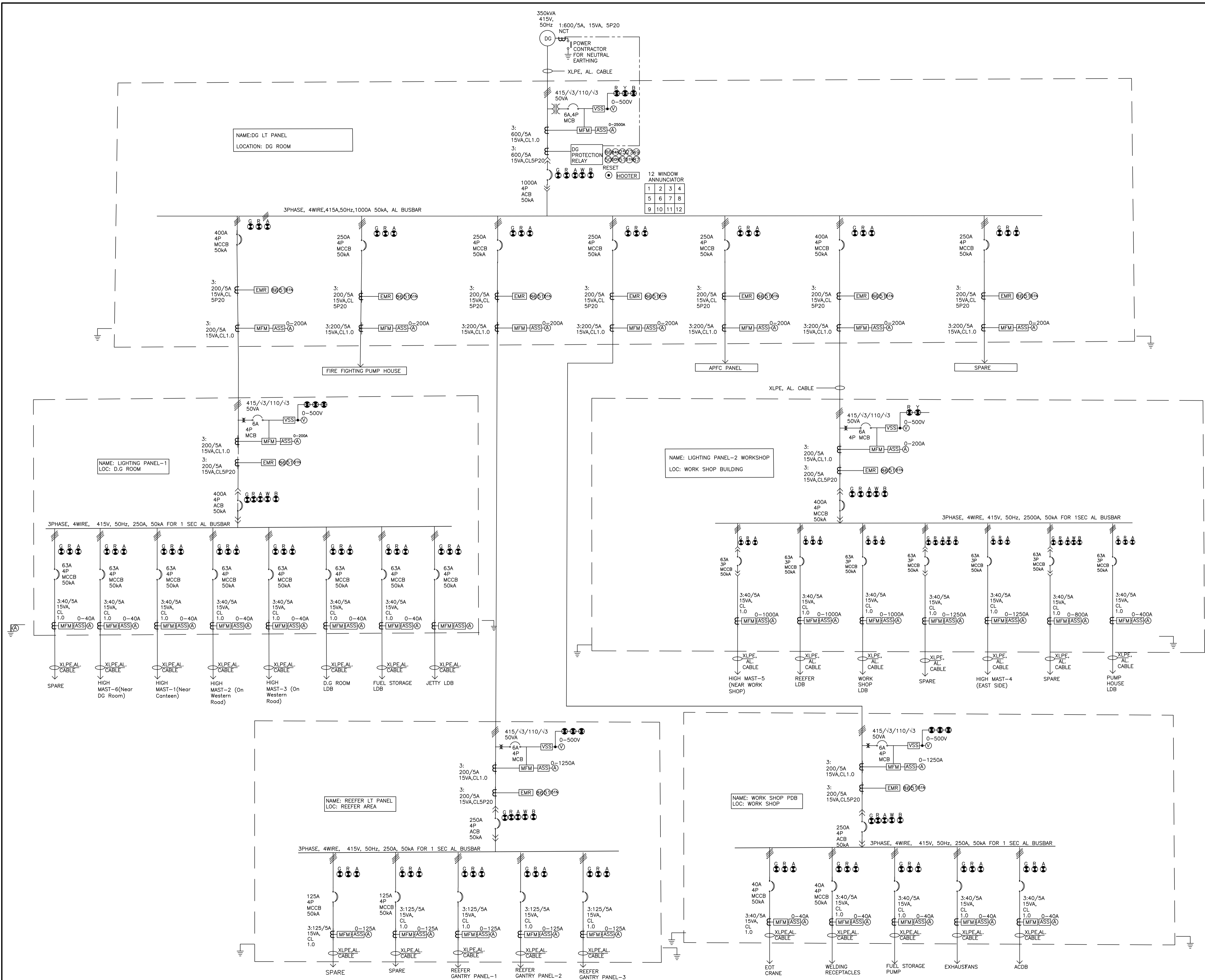
PURPOSE: TENDER

DRAWING TITLE:
 SITTWE TERMINAL D.G POWER DISTRIBUTION SINGLE LINE DIAGRAM (SLD) SHEET 3 OF 3

Sign:	Sign:	Sign:
Date:	Date:	Date:
Name:	Name:	Name:
Designed by	Checked by	Approved by
DRAWING NUMBER: 60544930 -DRG- T -0000 -CS-1028		REV. 0

AECOM
 AECOM India Pvt. Ltd.

COPYRIGHT © 2015 by AECOM
 All Rights Reserved
 The drawing should only be used by the client/contractor for the purpose mentioned here. No part of the drawing should be retransmitted or used for any other project without written consent from AECOM.



- NOTES:-**
- 1.DIESEL GENERATOR SHALL BE WITH ACOUSTIC ENCLOSURE AND SHALL BE INSTALLED IN D.G BUILDING.
 - 2.REEFER LT PANEL SHALL BE LOCATED IN THE PROXIMITY OF REEFERS AND SHALL BE IP-65 TYPE.
 - 3.DG SET NEUTRAL SHALL EARTHED WITH POWER CONTRACTOR IT IS NECESSARY TO INTERLOCK SWITCH 'ON' THE INCOMER BREAKER ONLY WHEN THE NEUTRAL CONTRACTOR IS 'ON'.
 - 4.ALL AIR CIRCUIT BREAKER SHALL BE MOTORISED DRAWOUT TYPE.
 - 5.ALL MCCB FEEDERS SHALL BE FIXED TYPE.
 - 6.ALL MCCB FEEDERS SHALL BE PROVIDED WITH DOOR HANDLE (ROTARY OPERATING MECHANISM) WITH DOOR INTERLOCKS.
 - 7.CABLE SIZES SHALL BE DESIGNED BY THE CONTRACTOR AS PER THE LOAD REQUIREMENT.IT MAY BE COPPER OR ALUMINUM BASED ON SPECIFICATION
 - 8.APFC PANEL AND CAPACITOR BANK SIZING SHALL BE DONE BY THE CONTRACTOR.

LEGEND:-

LEGEND	DESCRIPTION
	DIESEL GENERATOR
	MOULDED CASE CIRCUIT BREAKER
	DRAWOUT TYPE ACB
	EARTH CONNECTION
	R,Y,B PHASE INDICATION LAMPS
	GREEN 'OFF' INDICATION LAMP
	RED 'ON' INDICATION LAMP
	AMBER 'FAULT INDICATION LAMP
	WHITE 'SPRING CHARGED' INDICATION LAMP
	BLUE 'TRIP CIRCUIT' HEALTHY LAMP
	VOLTMETER SELECTION SWITCH
	AMMETER SELECTION SWITCH
	VOLTMETER
	AMMETER
	DIGITAL MULTIFUNCTIONAL METER
	CURRENT TRANSFORMER
	ELECTROMECHANICAL RELAYS
	POTENTIAL TRANSFORMER
	MINIATURE CIRCUIT BREAKER
	SYNCHROCHECK RELAY
	LOCKOUT RELAY
	UNDER VOLTAGE RELAY
	INSTANTANEOUS OVER CURRENT RELAY
	INSTANTANEOUS EARTH FAULT RELAY
	TIME DELAY OVER CURRENT RELAY
	TIME DELAY EARTH FAULT RELAY
	DIFFERENTIAL PROTECTIVE RELAY
	RESTRICTED EARTH FAULT RELAY

FOR TENDER PURPOSE ONLY

REV.	DATE	DESCRIPTION	SV	YNR	SG
0	13.11.17	FOR TENDER			

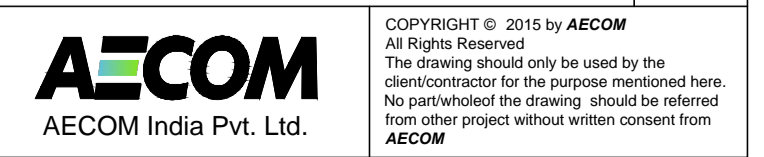
CLIENT/OWNER:
MINISTRY OF EXTERNAL AFFAIRS / INLAND WATERWAY AUTHORITY OF INDIA

PROJECT:
CONTAINER TERMINAL AT PORT OF SITTWE & IWT TERMINAL AT PALETWA IN MYANMAR, UNDER KALADAN MULTI-MODAL TRANSIT TRANSPORT PROJECT

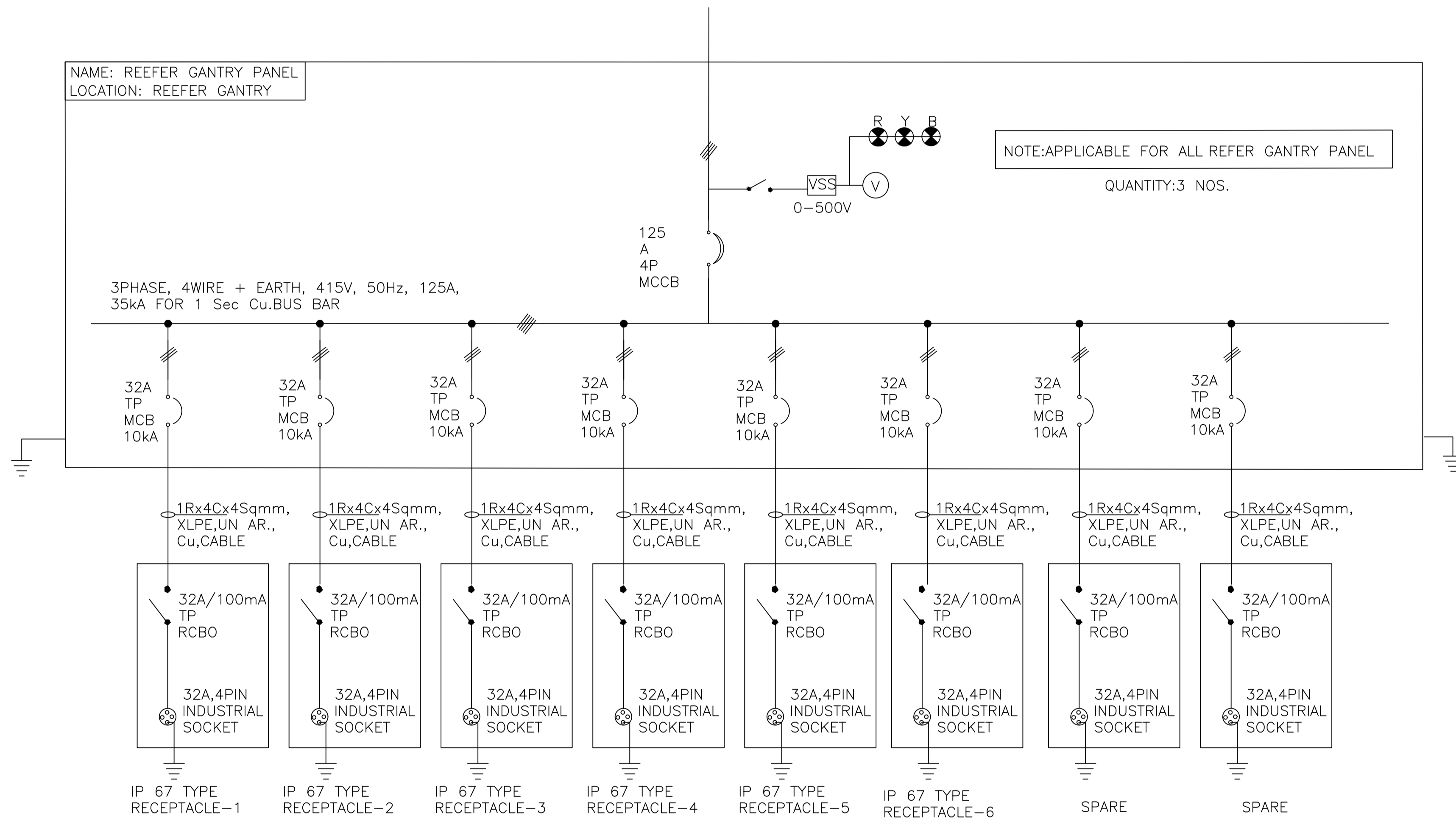
PART/DISCIPLINE: STRUCTURE
DIMENSIONS ARE IN: TENDER

DRAWING TITLE:
PALETWA TERMINAL D.G POWER DISTRIBUTION SINGLE LINE DIAGRAM (SLD)

Sign:	Sign:	Sign:
Date:	Date:	Date:
Name:	Name:	Name:
Designed by:	Checked by:	Approved by:
DRAWING NUMBER:	60544930 -DRG- T -0000 -CS-1029	REV. 0



3PHASE, 415V, 50HZ POWER SUPPLY REEFER LT PANEL



LEGEND:-

LEGEND	DESCRIPTION
	DIESEL GENERATOR
	MOULDED CASE CIRCUIT BREAKER
	DRAWOUT TYPE ACB
	EARTH CONNECTION
	R,Y,B PHASE INDICATION LAMPS
	GREEN 'OFF' INDICATION LAMP
	RED 'ON' INDICATION LAMP
	AMBER 'FAULT INDICATION LAMP
	WHITE 'SPRING CHARGED' INDICATION LAMP
	BLUE 'TRIP CIRCUIT' HEALTHY LAMP
	VOLTMETER SELECTION SWITCH
	AMMETER SELECTION SWITCH
	VOLTMETER
	AMMETER
	DIGITAL MULTIFUNCTIONAL METER
	CURRENT TRANSFORMER
	ELECTROMECHANICAL RELAYS
	POTENTIAL TRANSFORMER
	MINIATURE CIRCUIT BREAKER
	SYNCHROCHECK RELAY
	LOCKOUT RELAY
	UNDER VOLTAGE RELAY
	OVER VOLTAGE RELAY
	INSTANTANEOUS OVER CURRENT RELAY
	INSTANTANEOUS EARTH FAULT RELAY
	TIME DELAY OVER CURRENT RELAY
	TIME DELAY EARTH FAULT RELAY
	DIFFERENTIAL PROTECTIVE RELAY
	RESTRICTED EARTH FAULT RELAY

FOR TENDER PURPOSE ONLY

REV.	DATE	DESCRIPTION	SV	YNR	SG
0	13.11.17	FOR TENDER			

CLIENT/OWNER:
 MINISTRY OF EXTERNAL AFFAIRS / INLAND WATERWAY AUTHORITY OF INDIA

PROJECT:
 CONTAINER TERMINAL AT PORT OF SITTWE & IWT TERMINAL AT PALETWA IN MYANMAR, UNDER KALADAN MULTI-MODAL TRANSIT TRANSPORT PROJECT

PART/DISCIPLINE: STRUCTURE DIMENSIONS ARE IN:

PURPOSE: TENDER

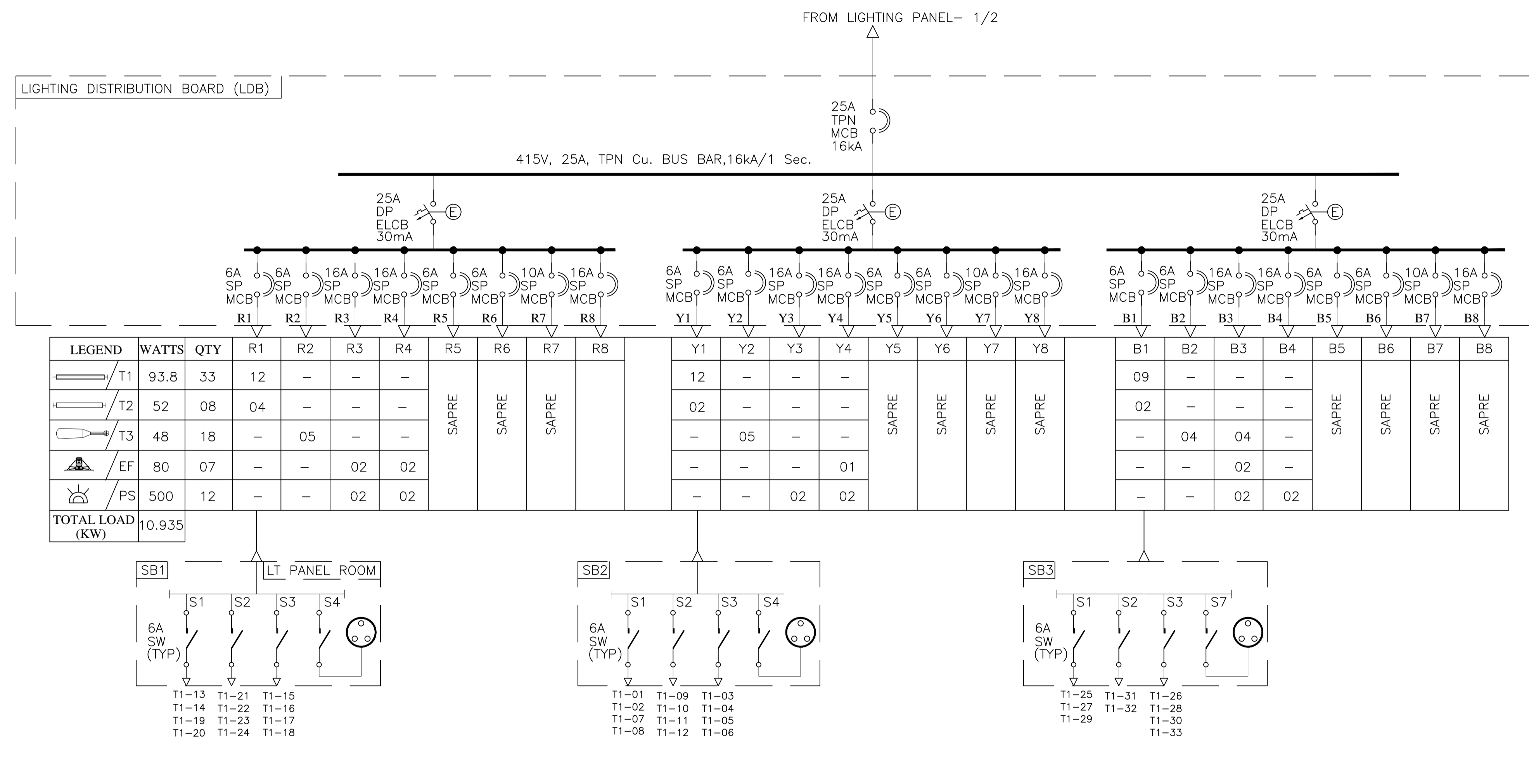
DRAWING TITLE:
 PALETWA TERMINAL D.G POWER DISTRIBUTION SINGLE LINE DIAGRAM (SLD)

Sign:	Sign:	Sign:
Date:	Date:	Date:
Name:	Name:	Name:

Designed by:	Checked by:	Approved by:
DRAWING NUMBER: 60544930 - DRG - T -0000 -CS-1030		REV. 0

AECOM
 AECOM India Pvt. Ltd.

COPYRIGHT © 2015 by AECOM
 All Rights Reserved
 The drawing should only be used by the client/contractor for the purpose mentioned here. No part of the drawing should be retransmitted from other project without written consent from AECOM.



NOTES:-
 1. NUMBER OF SWITCH BOARD SHOWN IN THE SLD IS TENTATIVE. THE QUANTITY WILL VARY DEPENDS ON THE SIZE OF THE BUILDING.
 2. LIGHTING LOAD SHOWN IN THE SLD IS TENTATIVE. IT IS THE RESPONSIBILITY OF CONTRACTOR TO DESIGN THE LIGHTING LOAD AS PER THE LUX LEVEL REQUIREMENT.

TYPICAL FOR ALL LIGHTING DISTRIBUTION BOARD (LDB)

LEGEND:-

LEGEND	DESCRIPTION
	DIESEL GENERATOR
	MOULDED CASE CIRCUIT BREAKER
	DRAWOUT TYPE ACB
	EARTH CONNECTION
	R,Y,B PHASE INDICATION LAMPS
	GREEN 'OFF' INDICATION LAMP
	RED 'ON' INDICATION LAMP
	AMBER 'FAULT INDICATION LAMP
	WHITE 'SPRING CHARGED' INDICATION LAMP
	BLUE 'TRIP CIRCUIT' HEALTHY LAMP
	VOLTMETER SELECTION SWITCH
	AMMETER SELECTION SWITCH
	VOLTMETER
	AMMETER
	DIGITAL MULTIFUNCTIONAL METER
	CURRENT TRANSFORMER
	ELECTROMECHANICAL RELAYS
	POTENTIAL TRANSFORMER
	MINIATURE CIRCUIT BREAKER
	SYNCHROCHECK RELAY
	LOCKOUT RELAY
	UNDER VOLTAGE RELAY
	OVER VOLTAGE RELAY
	INSTANEOUS OVER CURRENT RELAY
	INSTANEOUS EARTH FAULT RELAY
	TIME DELAY OVER CURRENT RELAY
	TIME DELAY EARTH FAULT RELAY
	DIFFERENTIAL PROTECTIVE RELAY
	RESTRICTED EARTH FAULT RELAY

FOR TENDER PURPOSE ONLY

REV.	DATE	DESCRIPTION	DR.	CH.	APR.
0	13.11.17	FOR TENDER	SV	YNR	SG

CLIENT/OWNER:
 MINISTRY OF EXTERNAL AFFAIRS / INLAND WATERWAY AUTHORITY OF INDIA

PROJECT:
 CONTAINER TERMINAL AT PORT OF SITTWE & IWT TERMINAL AT PALETWA IN MYANMAR, UNDER KALADAN MULTI-MODAL TRANSIT TRANSPORT PROJECT

PART/DISCIPLINE: STRUCTURE
 DIMENSIONS ARE IN:

PURPOSE:
 TENDER

DRAWING TITLE:
 PALETWA TERMINAL D.G POWER DISTRIBUTION SINGLE LINE DIAGRAM (SLD)

Sign:	Sign:	Sign:
Date:	Date:	Date:
Name:	Name:	Name:
Designed by	Checked by	Approved by

DRAWING NUMBER: 60544930 -DRG- T -0000 -CS-1031
 REV: 0

AECOM
 AECOM India Pvt. Ltd.
 COPYRIGHT © 2015 by AECOM
 All Rights Reserved
 The drawing should only be used by the client/contractor for the purpose mentioned here. No part of the drawing should be retransmitted or used for any other project without written consent from AECOM.

SHEET 03 OF 03